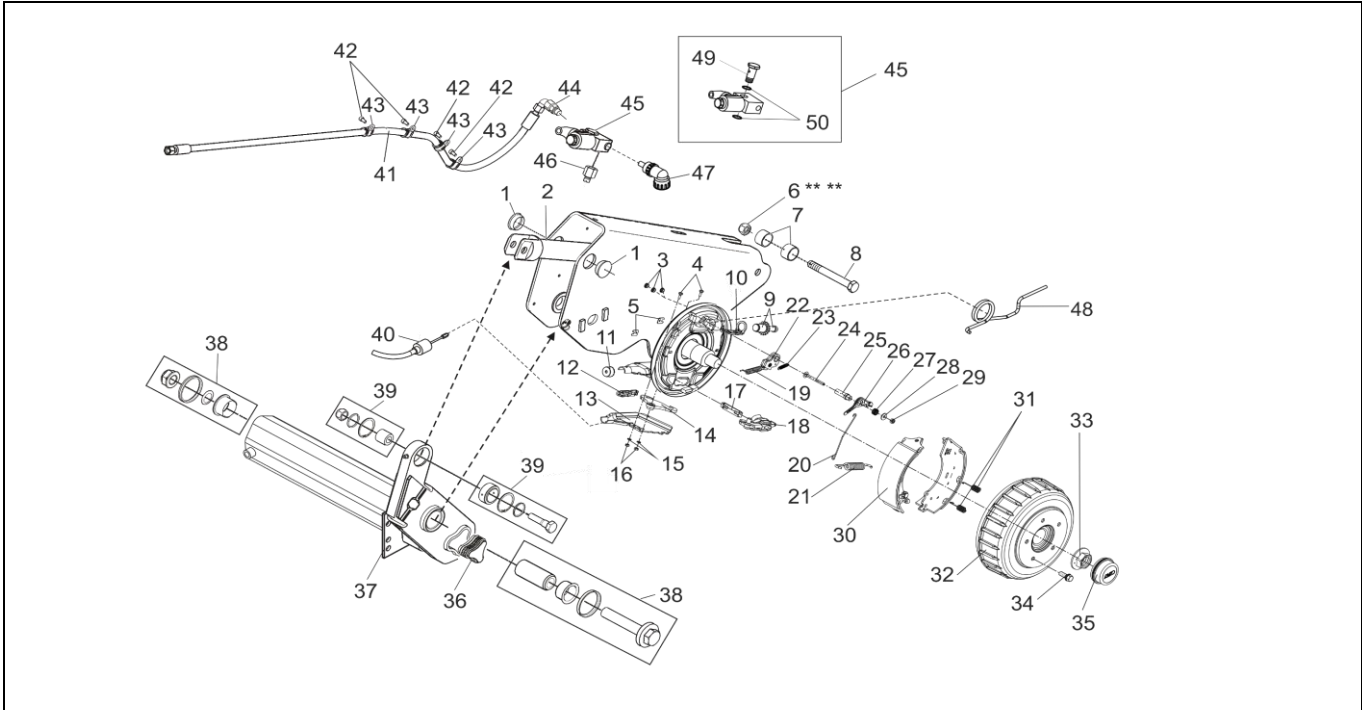


AXLE LOWERABLE 2361AAA 1800KG WITH HYDRAULIK DIVERSION 90°

ETI- Nr. 811810

(Specify the order with the ETI No.)

AL-KO
Spare Parts



Item	Description	Part-No.
1	STOPPER	583615
2	HYDRAULIC CYLINDER ET-SET: SEAL KIT FOR CYLINDER	645541 1655808
3	STOPPER RED	694430
4	HEX BOLT DIN 933-M5X12-8.8-ZN8DISP	706240
5	COVER PLATE	2382610002
6	HEX NUT DIN 985-M16-10-ZN8DISP	*** 706013
7	DISTANCE BUSH	583599
8	HEX BOLT DIN 931-M16x130-10.9-ZN8DISP	706341
9	ADJUSTING SCREW AND THE ADJUSTING NUT LEFT 2051/2361 AAA	1650416
10	BOW PRESSURE	368361
11	PROTECTIVE CAP	371389
12	CONNECTION EYE	604262
13	CUP COMPLETE	RIGHT 2361 692368 LEFT 2361 692367
14	BELL CRANK	692415
15	SPRING RING DIN 127-B 5-ZN8DISP	706443
16	HEX NUT DIN 934-M5-8-ZN8DISP	705482
17	CONNECTION EYE (NON-STANDARD)	** 1361692
18	SPREAD HINGE LOCK 2051/2361 AAA	* LEFT 1650407 RIGHT 1650408
19	TENSION SPRING	2187370003
20	CONNECTION WIRE 2361 AAA	1651293
21	TENSION SPRING AAA	1652174
22	AUTO-REVERSE LEVER	LEFT 571386 RIGHT 571387
23	TENSION SPRING 2051/2361 AAA	1651237
24	CARRIAGE BOLT DIN 603-M6X60-ZN8DISP	706316
25	BEARING BOLT 2051/2361 AAA	1650429
26	ADJUSTING LEVER	LEFT 2361 AAA 1651290 RIGHT 2361 AAA 1651291
27	CONTACT PRESSURE SPRING	694449
28	WASHER DIN 9021-ST-A-A6.4-ZN8DISP	705405
29	HEX NUT DIN 980-V M6-8-ZN8DISP	706012
30	SET BRAKE JAW FOR AXLE INCL (COVER PLATE,TENSION SPRING,PRESSURE SPRING)	1730332

Item	Description	Part-No.
31	PRESSURE SPRING	2088800003
32	BRAKE DRUM COMPLETE WITH BEARINGS Ø112X5 M12x1.5	573194
33	FLANGE NUT M27X2-ZN8DISP	1224805
34	WHEEL BOLT SPHERIC M12x1,5	582506
35	END CAP Ø65 2361AAA	2081670020
36	END CAP	1653033
37	SWING ARM LEFT COMPLETE MOUNTED / CONTAINS ET-SET POS 38/39	375901
38	SPARE PARTS SET	1310074
39	SPARE PARTS SET	1310075
40	MOUNTABLE BOWDEN CABLE	245096
		245097
		890/1086 LONG 247284
		1020/1216 LONG 247285
		1130/1326 LONG 247286
		1320/1516 LONG 247287
		1430/1626 LONG 247288
		1620/1816 LONG 247289
		1790/1986 LONG 247290
		2700/2896 LONG 1231584
		2800/2996 LONG 1231585
41	HYDRAULIC TUBE	623704
42	THREAD CUTTING SCREW M6X12	510433
43	PIPE CLAMP RSGU 1.15/15-W1	583597
44	ELBOW WITH SEALING CONE	606395
45	BACK PRESSURE VALVE	606442
46	REDUCING FITTING WITH FEMALE R1/4"-R3/8"	606177
47	COSTAL PLUG FOR BACK PRESSURE VALVE	1651262
48	TORSION SPRING	LEFT AAA 1806463 RIGHT AAA 1807220
49	HOLLOW BOLT G 3/8" FOR CHECK VALVE	1362528
50	O-RING DIN ISO 3601-18X2-NBR90	707197

+ THE CENTRE OF ROTATION OF THE BRAKE LEVER MUST BE FIXED ON THE SAME SIDE AS THE BOLT OF THE AUTO-REVERSE.

** THE OPEN SIDE OF THE CONNECTION EYE FOR THE BOWDEN CABLE MUST SHOW TO THE CENTRE OF ROTATION OF THE BRAKE LEVER.

*** FOR SAFETY REASONS: SELF-LOCKING NUT AND SCREW WITH CHEMICAL SELF-LOCKING MUST BE USED ONCE.
AFTER UNTIGHTEN ALWAYS USE A NEW SPARE.

THE RETAIL OF INDIVIDUAL BRAKE SHOES IS NOT PERMITTED BY EU DIRECTIVE FROM 1st OF OCTOBER 2002.
ATTENTION: THE SET INCLUDES FOUR BRAKE SHOES AND THE APPENDANT TENSION SPRINGS, PRESSURE SPRINGS AND COVER PLATES.

provided	ETI-No.	changed	Change-No.	Reason of the change	Revisions-No.
18.04.16Ö	811810_en		FREIGABE		A
		29.10.18ÖJ	30642	TORSION SPRING (1806463,1807220) NEW ADDED	B