

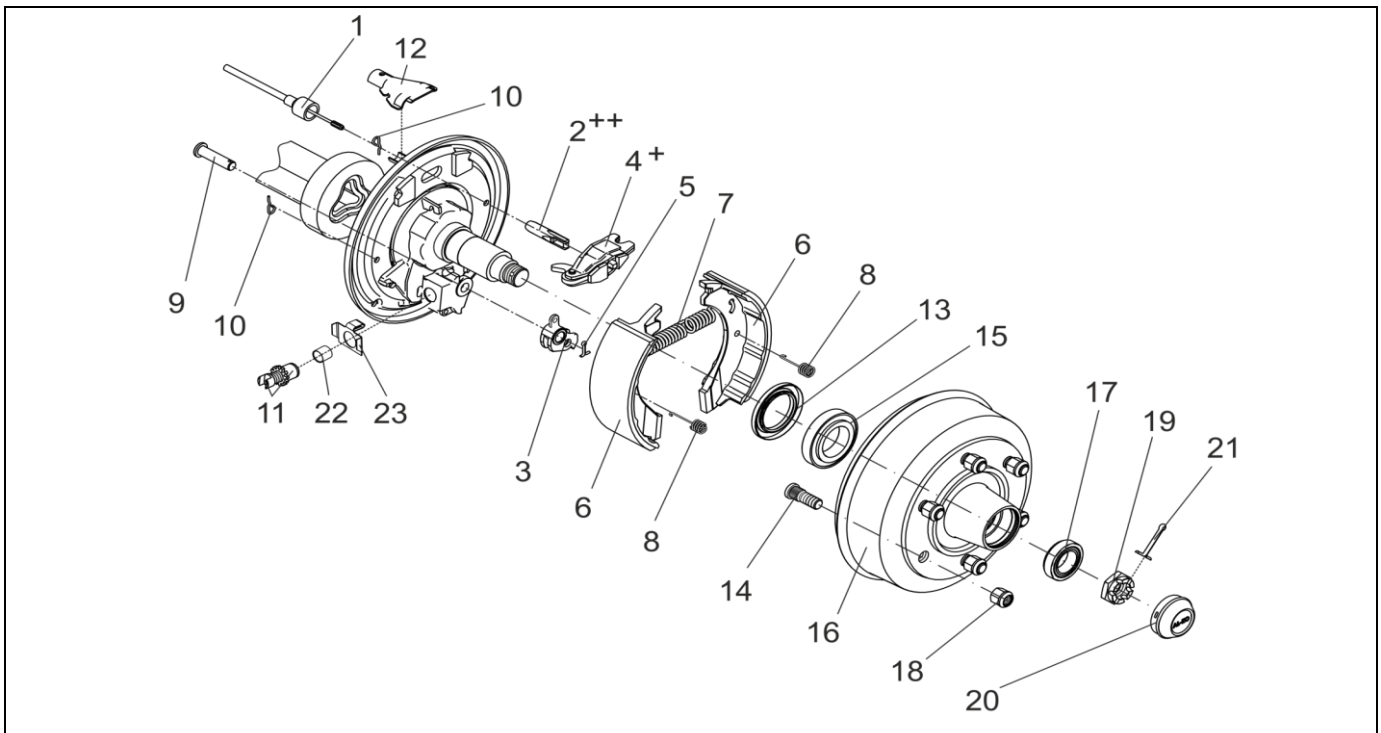
# WHEEL BRAKE 3081AR/A 1250KG BOWDEN CABLE

ETI- No. 811706

(Specify the order with the ETI No.)

**AL-KO**

Spare Parts



Item	Description	Part No.
1	MOUNTABLE BOWDEN CABLE 500 / 760 LONG	241106
	800 / 1060 LONG	241107
	900 / 1160 LONG	241108
	1000 / 1260 LONG	241109
	1100 / 1360 LONG	241110
	1300 / 1560 LONG	241111
	1400 / 1660 LONG	241112
2	CONNECTION EYE ++	372891
3	AUTO-REVERSE LEVER	385578
4	SPREAD HINGE LOCK +	385165
5	SPLINT PIN DIN 94 4X25-VZ	700193
6	SET BRAKE JAW FOR AXLE INCL (COVER PLATE,TENSION SPRING,PRESSURE SPRING)	1220333
7	TENSION SPRING RIGHT	355833
	LEFT	2589250004
8	PRESSURE SPRING	372895
9	BOLT DIN 1444-16X65X59-EN2	702400
10	SPRING CLIP	372913
11	ADJUSTING SCREW AND THE ADJUSTING NUT	646155

Item	Description	Part No.
12	CUP	372890
13	RADIAL SHAFT SEAL DIN3760-AS 65X100X10-NBR	702126
14	WHEEL BOLT M18X1.5X58 mm LONG	2487940005
	WHEEL BOLT SPHERIC M14X1.5	2081670002
15	TAPERED ROLLER BEARING DIN 720-30211	701774
16	BRAKE DRUM COMPLETE WITH BEARINGS Ø205X6 WITH WHEEL BOLT	691486
	BRAKE DRUM COMPLETE WITH BEARINGS Ø130X5 M14X1.5	1368408
	Ø140X5 M14X1.5	1368409
	Ø165.1X5 M14X1.5	1368410
17	TAPERED ROLLER BEARING DIN 720-32008	702125
18	WHEEL NUT DIN 74361-A18-8-A3B (M18X1.5)	701202
19	CASTLE NUT DIN937-M33X1.5	701277
20	END CAP Ø70	368527
21	SPLINT PIN DIN 94 6.3X63-VZ	700856
22	BUSH	368535
23	LOCKING ELEMENT	358259

+ THE CENTRE OF ROTATION OF THE BRAKE LEVER MUST BE FIXED ON THE SAME SIDE AS THE BOLT OF THE AUTO-REVERSE.  
 ++ THE OPEN SIDE OF THE CONNECTION EYE FOR THE BOWDEN CABLE MUST SHOW TO THE CENTRE OF ROTATION OF THE BRAKE LEVER.

THE RETAIL OF INDIVIDUAL BRAKE SHOES IS NOT PERMITTED BY EU DIRECTIVE FROM 1st OF OCTOBER 2002.  
 ATTENTION: THE SET INCLUDES FOUR BRAKE SHOES AND THE APPENDANT TENSION SPRINGS, PRESSURE SPRINGS AND COVER PLATES.

provided	ETI-No.	changed	Change No.	Reason of the change	Revisions-No.
02.01.14	811706_en		FREIGABE		A