

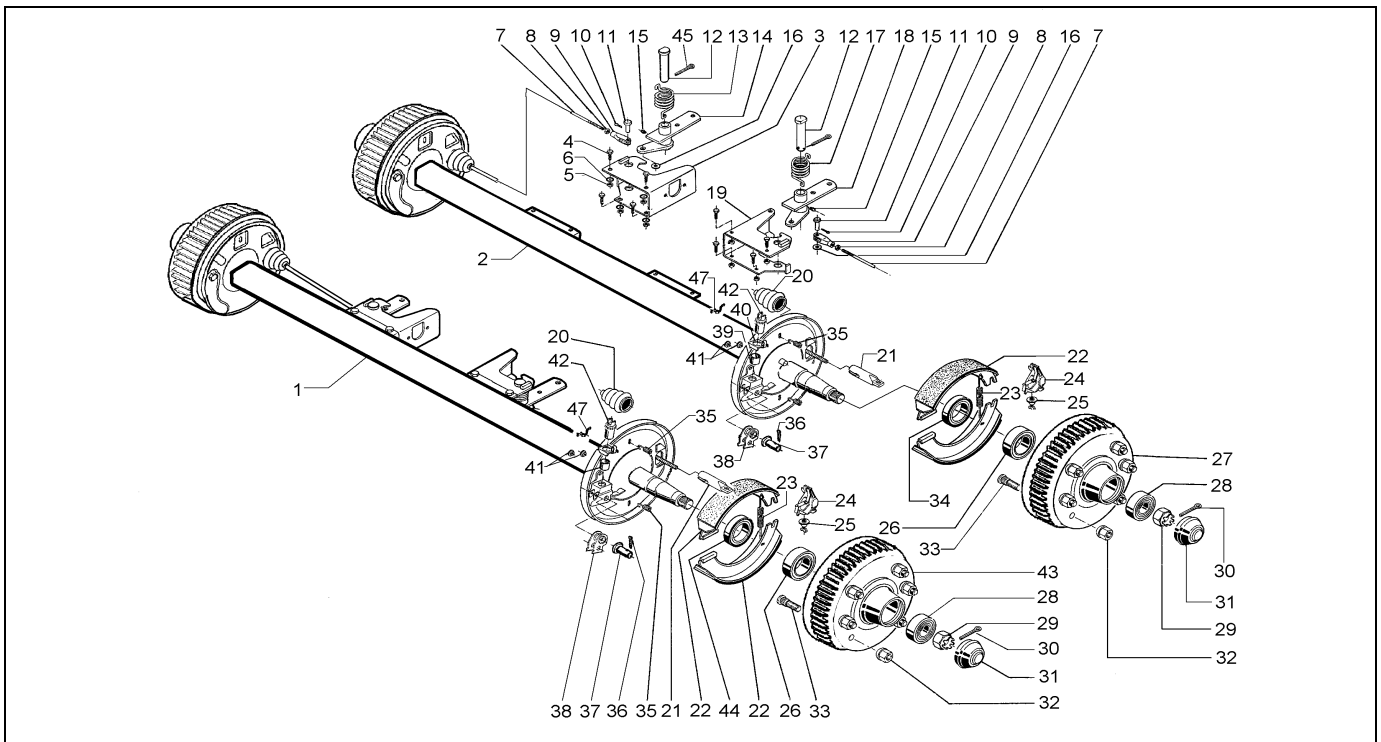
AXLE FIXED BRAKED TANDEM 6000KG

ETI- No. 811511

(Specify the order with the ETI No.)

AL-KO

Spare Parts



Item	Description	Part No.
1	AXLE 1	WITHOUT ABH*
2	AXLE 2	WITH ABH*
3	PANEL RIGHT WELDED	1313796
4	BOLT HEX M12x30 DIN 933-8.8 A3C	701987
5	NUT HEX M12 DIN 985-10 A3C	702750
6	WASHER A13 DIN 125	700140
7	CONNECTION ROD Ø 10	INDICATE LENGTH
8	NUT HEX M10 DIN 934-8 A3C	700109
9	FORK HEAD 10x40 A3C	700739
10	SPLINT 3,2x20 DIN 94 A3C	702004
11	BOLT B10 A3C DIN 1444	702795
12	BOLT	1312391
13	ROTATION SPRING RIGHT	358268
14	BRAKE LEVER RIGHT WELDED	1312396
15	GREASE NIPPLE AS 6 DIN 71412	700203
16	WASHER A10,5 DIN 125 A3C	700139
17	ROTATION SPRING LEFT	358267
18	BRAKE LEVER LEFT WELDED	1312395
19	PANEL LEFT WELDED	1313795
20	BELLOWS	358257
21	CONNECTION EYE	358266
22	SET BRAKE JAW	1220333
23	RETURN SPRING LEFT	2589250004
	RETURN SPRING RIGHT	355833
24	SPREAK LOCK CPL. LEFT (POS 24+25)	574371
	SPREAD LOCK CPL. RIGHT (POS 24+25)	574372

Item	Description	Part No.
25	ADJUSTING WHEEL MONT. LEFT	614338
	ADJUSTING WHEEL MONT. RIGHT	614339
26	TAPERED ROLLER BEARING 30211 DIN 720	701774
27	BRAKE DRUM CPL. 3081/B ABH	1312442
28	TAPERED ROLLER BEARING 30208X DIN 720	701548
29	CASTELLATED NUT M33x1,5	701277
30	SPLINT 6,3x63 DIN 94	700856
31	END CAP	2589290011
32	NUT COLLAR SPHERIC	701202
33	WHEEL BOLT	2487940005
34	LIP SEAL ABH 65x100x10	702126
35	COMPRESSION SPRING	372895
36	SPLINT 4x25 DIN 94	700193
37	BEARING BOLT	702400
38	LOCKING LEVER CPL.	385578
39	BUSH	368535
40	TAB WASHER	358259
41	LUPOLEN-STOPPER 10x13x11	373245
42	ADJUSTING NUT CPL. WITH ADJUSTING BOLT	646155
43	BRAKE DRUM 3081/B	354514
44	LIP SEAL 65x100x10	702126
45	SPLINT 6,3x36 DIN 94	700197
47	SPRING BINDER	372913

* AUTOMATIC BLOCK HAMPER

THE PRESSURE AIR-BRAKE INSTALLATION AND PARTS OF THE AUTOMATIC BLOCK HAMPER (ABH) AR NOT INCLUDED IN DELIVERY FROM AL-KO. ORDER THESE PARTS AT THE ASSEMBLING PRODUCER.

THE RETAIL SALE OF BRAKE JAWS IS NOT PERMISSIBLE BY THE EU-DIRECTION FROM 01. OCT 2002!

ATTENTION: POS 23, 35, 47 ODDLY ORDERABLE OR IN SET BRAKE JAW 1220333 CONTAINED

provided	ETI-No.	changed	Change No.	Reason of the change	Revisions-No.
08.01.07	811511_en	16.09.2010 BB	FREIGABE		A
		31.01.2011 HI	16418	See Change Notice	B
		19.09.2011 BB	16694	POS 34 AND POS 44: 702126 WAS 358893	C
		11.09.2013/ÖJ	17082	SEE CHANGE	D