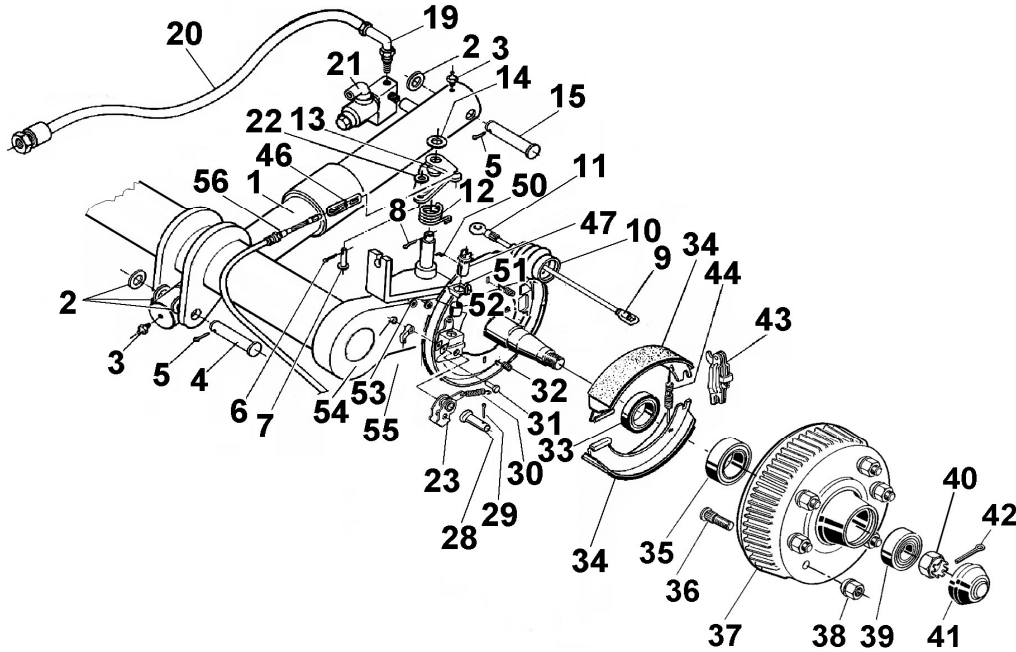


# AXLE LOWERABLE BT3500/3081B

ETI- No. 811494

(Specify the order with the ETI No.)

**AL-KO**  
Spare Parts



Item	Description	Drawing No.
1	HYDRAULIC CYLINDER	606236
2	WASHER 28X40X2 DIN125	701167
3	NIPPLE AS 8X1 CONUS	700204
4	BOLT	607412
5	SPLINT 5X45 DIN94	701963
6	SPLINT 3,2X20 DIN94	702004
7	BEARING BOLT	702601
8	SPLINT 4X30 DIN94	700194
9	CONNECTION EYE	358266
10	BELLOW	375411
11	EYE BOLT	607803
12	ROTATION SPRING LEFT	607534
12	ROTATION SPRING RIGHT	607533
13	BELL CRANK LEFT	573070
13	BELL CRANK RIGHT	573071
14	WASHER A17 DIN125	700625
15	BOLT	607413
19	SCREW CONNECTION ANGLE	*
20	HYDRAULIC TUBE	*
21	ONE-WAY VALVE	*
22	WASHER A10,5 DIN125	700139
23	AUTO-REVERSE LEVER CPL	622296
28	BEARING BOLT	702400
29	SPLINT 4X25 DIN94	700193
30	TENSION SPRING	372894
31	BOLT CYLINDER M8X35 DIN601	371543

Item	Description	Drawing No.
32	COMPRESSION SPRING	372895
33	SEALING RING 65x100x10	702126
34	SET BRAKE JAW	1220333
35	BEARING CONUS 30211 DIN720	701774
36	WHEEL BOLT M18X1,5	2487940005
37	BRAKE DRUM CPL	354514
38	SPHERIC NUT	701202
39	BEARING CONUS 30208X DIN720	701548
40	CASTELLATED NUT M33X1,5 DIN937	701277
41	END CAP	2589290011
42	SPLINT 6,3X63 DIN94	700856
43	SPREAD LOCK CPL	385165
44	TENSION SPRING LEFT	2589250004
44	TENSION SPRING RIGHT	355833
46	CONNECTION EYE	372891
47	ADJUSTING BOLT AND ADJUSTING NUT	646155
50	COMPRESSION BINDER	372913
51	SAFETY PLATE	358259
52	BUSH	368535
53	STOPPER	373245
54	NUT HEX M8 DIN6924	700121
55	DETENT	368530
56	BOWDEN CABLE 1340/1600	2781960405
56	BOWDEN CABLE 1760/2020	224609
56	BOWDEN CABLE 2360/2620	224601
56	BOWDEN CABLE 2780/3040	224610

\* This parts are not contained in the delivery contents of AL-KO!

Supplier: Fritz Stiefel GmbH  
Hydraulik – Pneumatik  
Dr. Carl-Schwenk-Straße 16  
D-89233 Neu-Ulm Burlafingen  
Fax: 0731/ 71 73 41

The retail sale of brake jaws is not permissible by EU Directive from 01.Oct 2002!

**ATTENTION:**

Pos. 32, 34, 44 and 50 oddly orderable or in set brake jaw 1213889 contained.

provided	ETI-No.	changed	Change No.	Reason of the change	Revisions-No.
17.09.07	811494_en	13.07.2009	FREIGABE		A
17.09.07	811494_en	19.09.2011 BB	16694	POS 33: 702126 WAS 358893	B