

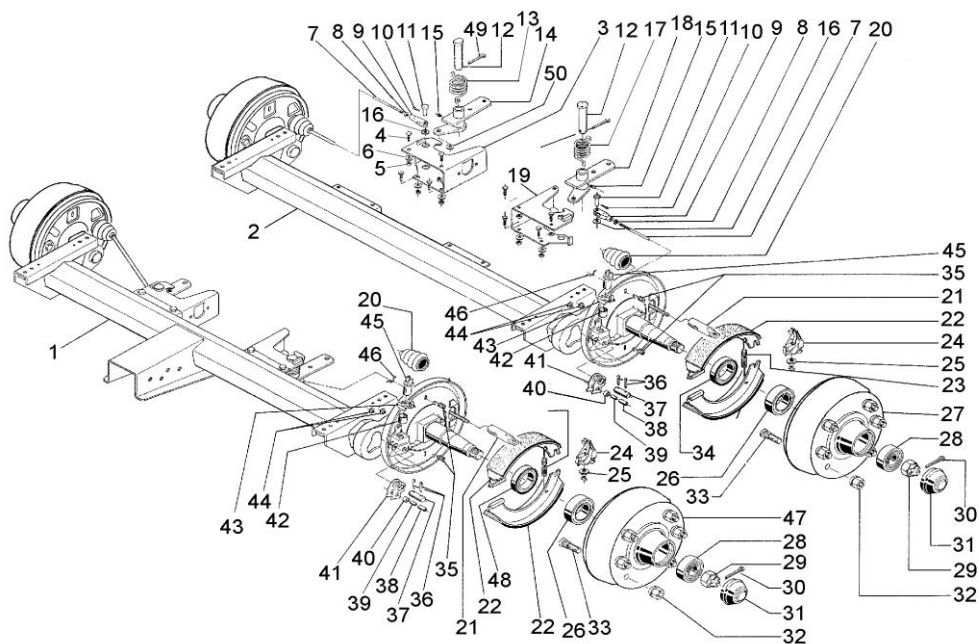
# AXLE GU LINGS GBR TA 5000

ETI- No. 811291

(Specify the order with the ETI No.)

**AL-KO**

Spare Parts



Item	Description	Drawing No.
1	AXLE 1	WITHOUT ABH*
2	AXLE 2	WITH ABH*
3	PANEL RIGHT WELDED	1313796
4	BOLT HEX M12x30 DIN 933	701987
5	NUT HEX M12 DIN 985	702750
6	WASHER A13 DIN 125	700140
7	CONNECTION ROD Ø 10	INDICATE LENGTH
8	NUT HEX M10 DIN 985	700109
9	FORK HEAD 10x40	700739
10	SPLINT 3,2x20 DIN 94	702004
11	BOLT B10 DIN 1444	702795
12	BOLT	1312391
13	ROTATION SPRING RIGHT	358268
14	BRAKE LEVER RIGHT WELDED	1364406
15	GREASE NIPPLE AS 6x1 CONUS	700203
16	WASHER A10,5 DIN 125	700139
17	ROTATION SPRING LEFT	358267
18	BRAKE LEVER LEFT WELDED	1364405
19	PANEL LEFT WELDED	1313795
20	BELLOWS	375411
21	CONNECTION EYE	358266
22	SET BRAKE JAWS	1220333
23	TENSION SPRING LEFT	2589250004
	TENSION SPRING RIGHT	355833
24	SPREAD LOCK LEFT MONT. AUTO ADJSUTING	614340
	SPREAD LOCK RIGHT MONT. AUTO ADJUSTING	614341
25	ADJUSTING WHEEL LEFT CPL.	614338
	ADJUSTING WHEEL RIGHT CPL.	614339

Item	Description	Drawing No.
25a	SPREAD LOCK LEFT CPL. (POS 24+25)	574371
	SPREAD LOCK RIGHT CPL. (POS 24+25)	574372
26	TAPERED ROLLER BEARING 30211 DIN 720	701774
27	BRAKE DRUM CPL. 3081/A, ABH	1312347
28	TAPERED ROLLER BEARING 32008X DIN 720	702125
29	CASTELLATED NUT M33x1,5	701277
30	SPLINT 6,3x63 DIN 94	700856
31	END CAP	368527
32	NUT COLLAR SPHERIC	701202
33	WHEEL BOLT	2487940005
34	SEALING RING ABH	702126
35	COMPRESSION SPRING	372895
36	SPLINT 4x25 DIN 94	700193
37	BEARING BOLT	702400
38	SPRING DOWEL PIN 14x24 DIN 1481	701452
39	SPRING DOWEL PIN 18x24 DIN 1481	700368
40	PLAIN ROLL	368533
41	LOCKING LEVER CPL.	385578
42	BUSH	368535
43	LOCKING ELEMENT	358259
44	STOPPER	373245
45	ADJSUTING NUT CPL.	646155
46	SPRING BINDER	372913
47	BRAKE DRUM 3081/A	384423
48	SEALING RING 65x100x10	702126
49	SPLINT 3,2x36 DIN 94	700197
50	WASHER B25 DIN 125 **	700627

\* ABH = AUTOMATIC BLOCK HAMPER

THE PRESSURE AIR-BRAKE INSTALLATION AND THE AUTOMATIC BLACK HAMPER ARE NOT INCLUDED IN DELIVERY BY AL-KO.

ORDER THESE PARTS ASSEMBLING PRDUCER

THE RETAIL SALE OF BRAKE JAWS IS NOT PERMISSIBLE BY EU-DIRECTION FROM 01. OCTOBER 2002!

ATTENTION: POS 23, 35, 46 ODDLY ORDERABLE OR IN SET BRAKE JAW 1220333 CONTAINED!

provided	ETI-No.	changed	Change No.	Reason of the change	Revisions-No.
15.02.00	811291_en	27.09.2010 BB	FREIGABE		A
15.02.00	811291_en	19.09.2011 BB	16694	POS 48: 702126 WAS 358893	B