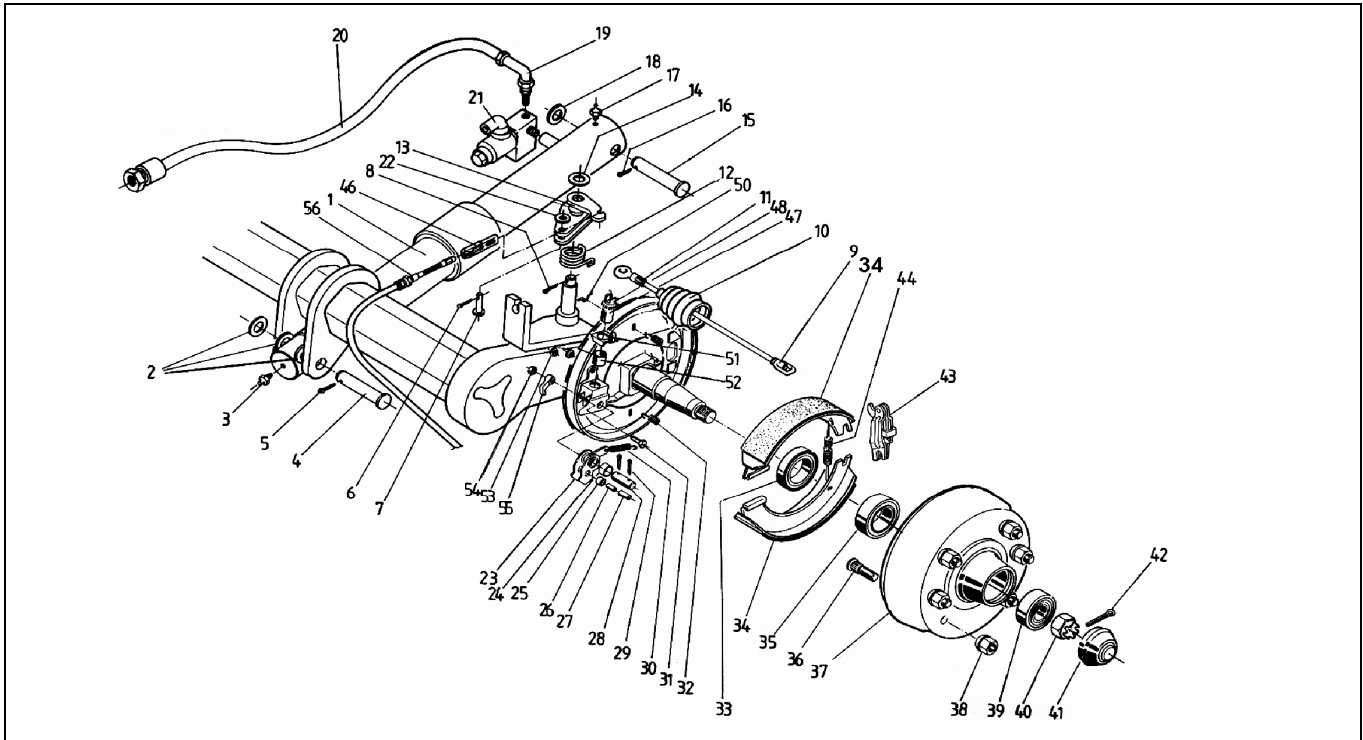


AXLE LOWER LABEL BRA 2500/3081A

ETI- No. 811238

(Specify the order with the ETI No.)

AL-KO
Spare Parts



| Item | Description | Drawing No. |
|------|---------------------------------------|------------------|
| 1 | HYDRAULIC CYLINDER | * |
| 2 | WASHER 28x40x2 DIN 125 | 701167 |
| 3 | GREASE NIPPLE AM 8x1 DIN 71412 | 2171710001 |
| 4 | BOLT | 607412 |
| 5 | SPLINT 5x45 DIN 94 | 701963 |
| 6 | SPLINT 3,2x20 DIN 94 | 700191 |
| 7 | BOLT | 702601 |
| 8 | SPLINT 4x30 DIN 94 | 700194 |
| 9 | CONNECTION EYE | 358266 |
| 10 | BELLOWS | 375411 |
| 11 | EYE BOLT | 607803 |
| 12 | SPRING LEFT SPRING RIGHT | 607534 607533 |
| 13 | ALTERNATION LEFT ALTERNATION RIGHT | 573070 573071 |
| 14 | WASHER A 17 DIN 125 | 700625 |
| 15 | BOLT | 607413 |
| 16 | SPLINT 5x45 DIN 94 | 701963 |
| 17 | GREASE NIPPLE AM 8x1 DIN 71412 | 2171710001 |
| 18 | WASHER 28x40x2 DIN 125 | 701167 |
| 19 | BRACKET SCREW CONNECTION | * |
| 20 | HYDRAULIC TUBE | * |
| 21 | BAK PRESSURE VALVE | * |
| 22 | WASHER A10,5 DIN 125 | 700139 |
| 23 | TRANSFORMATION RATIO LEVER | 372892 |
| 24 | BEARING | 372893 |
| 25 | PLAIN ROLL | 368533 |
| 26 | SPRING DOWEL PIN 8x24 DIN 1481 | 700368 |
| 27 | SPRING DOWEL PIN 12x24 DIN 1481 | 701452 |

* THESE PARTS ARE NOT CONTAINED IN DELIVERY OF AL-KO!

SUPPLIER: Fritz Stiefel GmbH Hydraulik – Pneumatik

Dr. Carl-Schwenk-Straße 16

D-89233 Neu-Ulm Burlafingen

Fax: 0731/ 71 73 41

| Item | Description | Drawing No. |
|------|---|----------------------|
| 28 | BEARING BOLT | 702400 |
| 29 | SPLINT 425 DIN 94 | 700193 |
| 30 | TENSION SPRING | 372894 |
| 31 | CYLINDER BOLT M8x35 DIN 601 | 371543 |
| 32 | COMPRESSION SPRING | 372895 |
| 33 | SEALING SHAFT RING 65x100x10 | 702126 |
| 34 | SET BRAKE JAW | 1220333 |
| 35 | TAPERED ROLLER BEARING 30211 DIN 720 | 701774 |
| 36 | WHEEL BOLT | 2487940005 |
| 37 | BRAKE DRUM CPL. | 384423 |
| 38 | NUT COLLAR SPHERIC | 701202 |
| 39 | TAPERED ROLLER BEARING 32008X DIN 720 | 702125 |
| 40 | CASTELLATED NUT M33x1,5 DIN 937 | 701277 |
| 41 | COVERING CAP | 368527 |
| 42 | SPLINT 6,3x63 DIN 94 | 700856 |
| 43 | SPREAD LOCK | 385165 |
| 44 | Rückhoffeder links Rückhoffeder rechts | 2589250004 355833 |
| 46 | Einhängöse | 604193 |
| 47 | Nachstellschaube | 2781960009 |
| 48 | Nachstellmutter | 385175 |
| 50 | Federbügel | 372913 |
| 51 | Sicherungsblech | 358259 |
| 52 | BUSH | 368535 |
| 53 | LUPOLEN STOPPER 10x13x11 | 373245 |
| 54 | NUT HEX M8 DIN 6924 | 700121 |
| 55 | CRANK | 368530 |
| 56 | BOWDENCABLE 1340 / 1600 LENGTH | 2781960405 |
| | BOWDENCABLE 1760 / 2020 LENGHT | 224609 |
| | BOWDENCABLE 2360 / 2620 LENGTH | 224601 |
| | BOWDENCABLE 2780 / 3040 LENGTH | 224610 |

THE RETAIL SALE OF BRAKE JAWS IS NOT PERMISSIBLE BY

EU-DIRECTIVE FROM 01. OCTOBER 2002!

ATTENTION: POS 32, 44, 50 ODDLY ORDERABLE OR IN

SET BRAKE JAW 1220333 CONTAINED!

| provided | ETI-No. | changed | Change No. | Reason of the change | Revisions-No. |
|----------|-----------|---------------|------------|---------------------------|---------------|
| 04.11.97 | 811238_en | 19.09.2011 BB | 16697 | POS 33: 702126 was 358893 | B |