

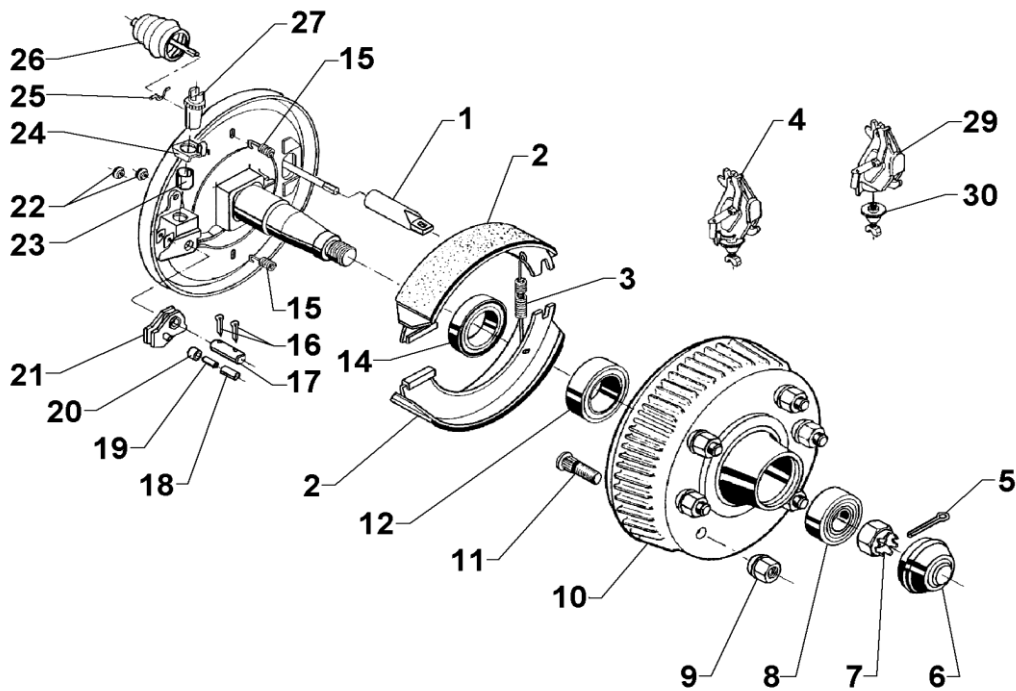
# WHEEL BR STAN 3081B AR 2000KG CA O ABV

ETI- No. 811200

(Specify the order with the ETI No.)

**AL-KO**

Spare Parts



Item	Description	Drawing No.
1	CONNECTION EYE	358266
2	SET BRAKE JAW	1220333
3	RETURN SPRING LEFT	2589250004
	RETURN SPRING RIGHT	355833
4	SPREAD LOCK LEFT CPL FOR AUTOMATIC ADJUSTMENT	574371
	SPREAD LOCK RIGHT CPL FOR AUTOMATIC ADJUSTMENT	574372
5	SPLINT $\phi 6,3 \times 63$ DIN94	700856
6	COVERING CAP	368527
7	CASTELLATED NUT M33x1,5	701277
8	TAPERED ROLLER BEARING	701548
9	NUT COLLAR SPHERIC	701202
10	BRAKE DRUM CPL	354514
11	WHELL BOLT	2487940005
12	TAPERED ROLLER BEARING 30211 DIN720	701774
14	SHAFT SEALING RING 65x100x10	702126
15	COMPRESSION SPRING	372895
16	SPLINT $\phi 4 \times 25$ DIN94	700193
17	BEARING BOLT	702400
18	SPRING DOWEL PIN $\phi 14 \times 24$ DIN 1481	701452
19	SPRING DOWEL PIN $\phi 8 \times 24$ DIN 1481	700368
20	PLAIN ROLLER	368533
21	LOCKING LEVER CPL	385578
22	STOPPER	373245
23	BUSH	368535
23	TAB WASHER	358259

Item	Description	Drawing No.
25	SPRING BINDER	372913
26	BELLOWS	375411
27	ADJUSTING NUT CPL WITH ADJUSTING BOLT	646155
29	SPREAD LOCK LEFT ASSEMBLED AUTOMATIC ADJUSTMENT	614340
	SPREAD LOCK RIGHT ASSEMBLED AUTOMATIC ADJUSTMENT	614341
30	ADUSTING WHEEL LEFT ASSEMBLED	614338
	ADUSTING WHEEL RIGHT ASSEMBLED	614339

provided	ETI-No.	changed	Change No.	Reason of the change	Revisions-No.
11.05.95	811200_en	13.10.2009	FREIGABE		A
11.05.95	811200_en	19.09.2011 BB	16694	POS 14: 702126 war 358893	B