

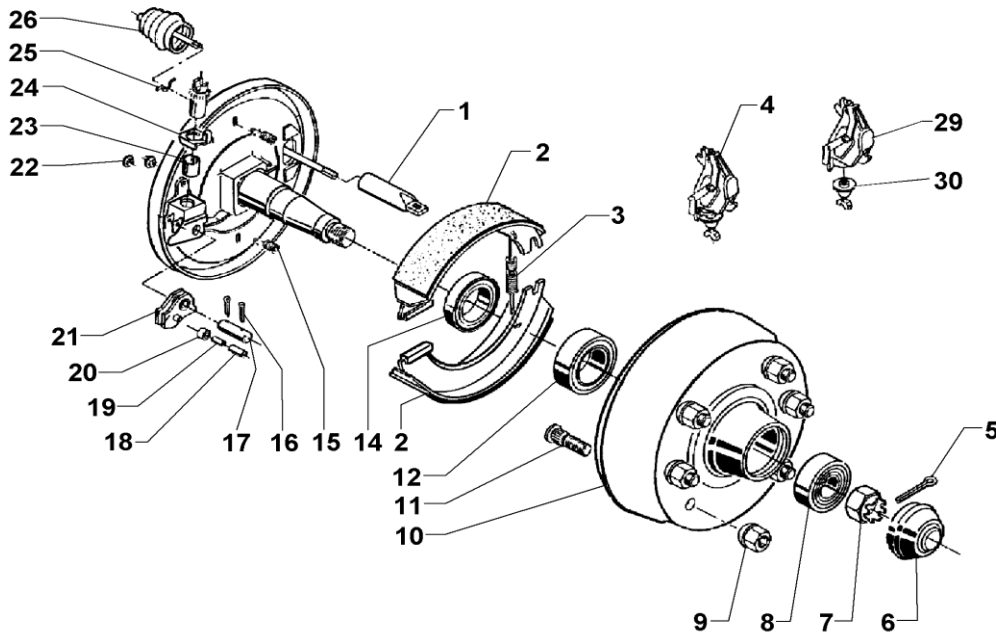
WHEEL BR STAN 3081A AR 1250KG CA O ABV

ETI- No. 811199

(Specify the order with the ETI No.)

AL-KO

Spare Parts



Item	Description	Drawing No.
1	CONNECTION EYE	358266
2	BRAKE JAW CPL.	387260
3	RETRUN SPRING LEFT RETRUN SPRING RIGHT	2589250004 355833
4	SPREAD LOCK LEFT CPL. FOR AUTOMATIC ADJUSTMENT SPREAD LOCK RIGHT CPL. FOR AUTOMATIC ADJUSTMENT	574371 574372
5	SPLINT Ø 6,3x63 DIN 94	700856
6	COVERING CAP	368527
7	CASTELLATED NUT M33x1,5	701277
8	TAPERED ROLLER BEARING 32008X DIN 720	702125
9	NUT COLLAR SPHERIC	701202
10	BRAKE DRUM CPL.	384423
11	WHEEL BOLT	2487940005
12	TAPERED ROLLER BEARING 30211 DIN 720	701774
14	SHAFT SEALING RING 65x100x10	702126
15	COMPRESSION SPRING	372895
16	SPLINT Ø 4x25 DIN 94	700193
17	BEARING BOLT	702400
18	SPRING DOWEL PIN Ø 14x24 DIN 1481	701452
19	SPRING DOWEL PIN Ø 8x24 DIN 1481	700368
20	PLAIN ROLL	368533
21	LOCKING LEVER CPL.	385578
22	SOPPER LUPOLEN Ø 10x13x11	373245
23	BUSH	368535
24	TAB WASHER	358259

Item	Description	Drawing No.
25	SPRING BINDER	372913
26	BELLOWS	375411
27	ADJUSTING NUT CPL WITH ADJUSTING BOLT	646155
29	SPREAD LOCK LEFT MONT. AUTOMATIC ADJUSTMENT SPREAD LOCK RIGHT MONT. AUTOMATIC ADJUSTMENT	614340 614341
30	ADJUSTING WHEEL LEFT MONT. ADJUSTING WHEEL RIGHT MONT.	614338 614339

THE RETAIL SALE OF BRAKE JAWS IS NOT PE

ATTENTION. POS 3, 15 ,25 ODDLY ORDERABLE OR IN SET BRAKE JAW 1220333 CONTAINED!

provided	ETI-No.	changed	ange No.	Reason of the change	Revisions-No.
11.05.95	811199_en	11.02.2010	FREIGABE		A
11.05.95	811199_en	19.09.2011 BB	16694	POS 14: 702126 was 358893	B