

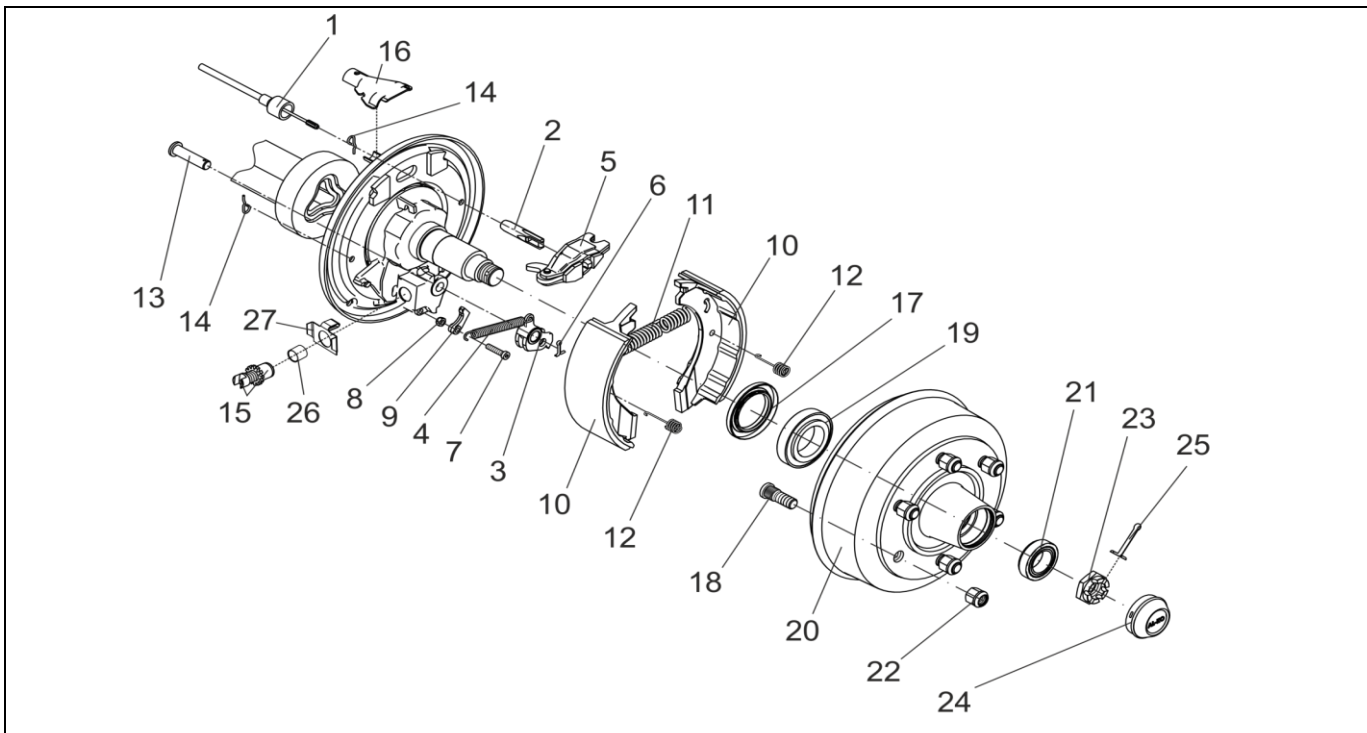
WHEEL BRAKE 3081A 1250KG

ETI- No. 811161

(Specify the order with the ETI No.)

AL-KO

Spare Parts



Item	Description	Part No.
1	MOUNTABLE BOWDEN CABLE 500 / 760 LONG	241106
	800 / 1060 LONG	241107
	900 / 1160 LONG	241108
	1000 / 1260 LONG	241109
	1100 / 1360 LONG	241110
	1300 / 1560 LONG	241111
	1400 / 1660 LONG	241112
2	CONNECTION EYE	372891
3	AUTO-REVERSE LEVER	622296
4	TENSION SPRING	372894
5	SPREAD HINGE LOCK	385165
6	SPLINT PIN DIN 94 4X25-VZ	700193
7	CYLINDER HEAD SCREW WITH HEXAGON SOCKET DIN 601-M8X35	371543
8	HEX NUT DIN 985-M8-8-A3C	700121
9	RATCHET	368530
10	SET BRAKE JAW FOR AXLE INCL (COVER PLATE, TENSION SPRING, PRESSURE SPRING)	1220333
11	TENSION SPRING RIGHT	355833
	LEFT	2589250004
12	PRESSURE SPRING	372895

Item	Description	Part No.
13	BOLT DIN 1444-16X65X59-EN2	702400
14	SPRING CLIP	372913
15	ADJUSTING SCREW AND THE ADJUSTING NUT	646155
16	CUP	372890
17	RADIAL SHAFT SEAL DIN3760-AS 65X100X10-NBR	702126
18	WHEEL BOLT M18X1.5X58 mm LONG	2487940005
	WHEEL BOLT SPHERIC M14X1.5	2081670002
19	TAPERED ROLLER BEARING DIN 720-30211	701774
20	BRAKE DRUM COMPLETE WITH BEARINGS Ø205X6 WITH WHEEL BOLT	691486
	BRAKE DRUM COMPLETE WITH BEARINGS Ø130X5 M14X1.5	1368408
	Ø140X5 M14X1.5	1368409
	Ø165.1X5 M14X1.5	1368410
21	TAPERED ROLLER BEARING DIN 720-32008	702125
22	WHEEL NUT DIN 74361-A18-8-A3B (M18X1.5)	701202
23	CASTLE NUT DIN937-M33X1.5	701277
24	END CAP Ø70	368527
25	SPLINT PIN DIN 94 6.3X63-VZ	700856
26	BUSH	368535
27	LOCKING ELEMENT	358259

THE RETAIL OF INDIVIDUAL BRAKE SHOES IS NOT PERMITTED BY EU DIRECTIVE FROM 1st OF OCTOBER 2002.
ATTENTION: THE SET INCLUDES FOUR BRAKE SHOES AND THE APPENDANT TENSION SPRINGS, PRESSURE SPRINGS AND COVER PLATES.

provided	ETI-No.	changed	Change No.	Reason of the change	Revisions-No.
28.02.97	811161_en	08.02.2010	FREIGABE		A
		19.09.2011 BB	16694	POS15: 702126 WAS 358893	B
		11.12.2012/ÖJ	17206	SEE CHANGE NOTICE	C