

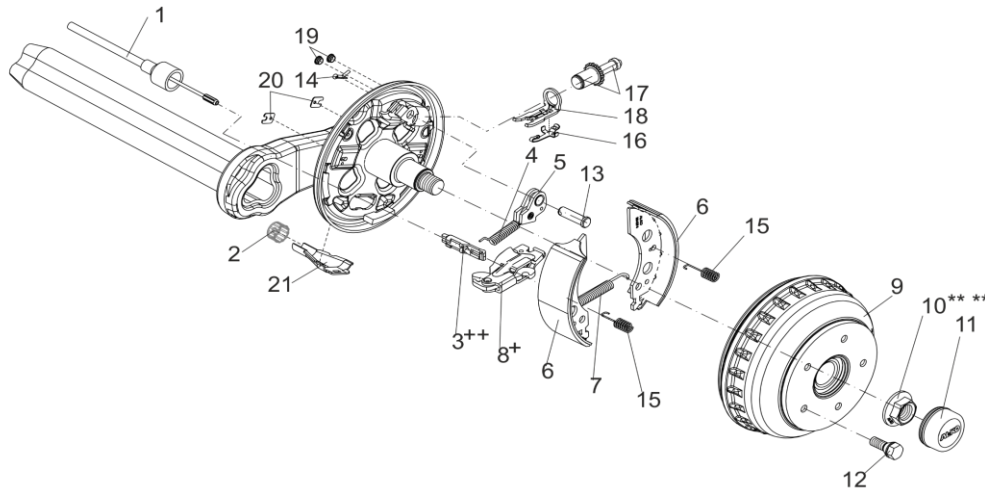
WHEEL BRAKE STANDARD 2051 TYPE Ab TILL 675/750 KG BASIC

ETI- Nr. 811876

(Specify the order with the ETI No.)

AL-KO

Spare Parts



Item	Description	Part-No.	
1	MOUNTABLE BOWDEN CABLE	350 / 546 LONG	247281
		530 / 726 LONG	247282
		770 / 966 LONG	247283
		890 / 1086 LONG	247284
		1020 / 1216 LONG	247285
		1130 / 1326 LONG	247286
		1320 / 1516 LONG	247287
		1430 / 1626 LONG	247288
		1620 / 1816 LONG	247289
1790 / 1986 LONG	247290		
2	PROTECTIVE CAP COLORLESS	371389	
3	CONNECTION EYE ++	604262	
4	TENSION SPRING	2187370003	
5	AUTO-REVERSE LEVER LEFT	571386	
	RIGHT	571387	
6	SET BRAKE JAW FOR AXLE INCL (COVER PLATE, TENSION SPRING, PRESSURE SPRING)	1213889	
7	TENSION SPRING	2082000007	
8	SPREAD HINGE LOCK 2051 +	571510	
9	BRAKE DRUM COMPLETE WITH BEARING UP TO 675 KG	Ø98x4 M12x1,5	623111
		Ø100x4 M12x1,5	623112
		Ø112x5 M12x1,5	623113
		Ø114,3x5 M12x1,5	1366564
		Ø130x4 M14x1,5	1370160
		Ø120x5 M12x1,5	1336427
SPARE PARTS SET: 1X BEARING, 1X CIRCLIP, 1X FLANGE NUT		1224801	

Item	Description	Part-No.	
9	BRAKE DRUM COMPLETE WITH BEARING UP TO 750 KG	Ø112x5 M12x1,5	586450
		Ø139,7x4 M12x1,5	578826
		(FRET Ø93) Ø140x5 M14x1,5	569775
		Ø140x5 M14x1,5	578825
		SPARE PARTS SET: 1X BEARING, 1X CIRCLIP, 1X FLANGE NUT	1224803
10	FLANGE NUT M24X1.5 ***	581200	
11	END CAP Ø57	581197	
12	WHEEL BOLT CONUS M12X1.5 SPHERIC M12x1,5 SPHERIC M12x1,5 (R13)	2081670018	
		2081670020	
		372138	
13	BEARING BOLT	368651	
14	SPLINT PIN DIN 94 4X20-VZ	700192	
15	PRESSURE SPRING	2088800003	
16	COMPOUND SPRING	368405	
17	ADJUSTING SCREW AND THE ADJUSTING NUT	21873708	
18	BOW PRESSURE	368361	
19	STOPPER	373245	
20	COVER PLATE	2382610002	
21	CUP	371387	
22	STUB AXLE UP TO 1350 KG UP TO 1500 KG	1311587	
		643044	
23	CYLINDER BOLT WITH HEXAGON SOCKET ***	704096	

+ THE CENTRE OF ROTATION OF THE BRAKE LEVER MUST BE FIXED ON THE SAME SIDE AS THE BOLT OF THE AUTO-REVERSE.

++ THE OPEN SIDE OF THE CONNECTION EYE FOR THE BOWDEN CABLE MUST SHOW TO THE CENTRE OF ROTATION OF THE BRAKE LEVER.

*** FOR SAFETY REASONS: SELF-LOCKING NUT AND SCREW WITH CHEMICAL SELF-LOCKING MUST BE USED ONCE. AFTER UNTIGHTEN ALWAYS USE A NEW SPARE.

THE RETAIL OF INDIVIDUAL BRAKE SHOES IS NOT PERMITTED BY EU DIRECTIVE FROM 1st OF OCTOBER 2002.

ATTENTION: THE SET INCLUDES FOUR BRAKE SHOES AND THE APPENDANT TENSION SPRINGS, PRESSURE SPRINGS AND COVER PLATES.

provided	ETI-No.	changed	Change No.	Reason of the change	Reasons-No.
02.08.17	811876_en		FREIGABE		A