

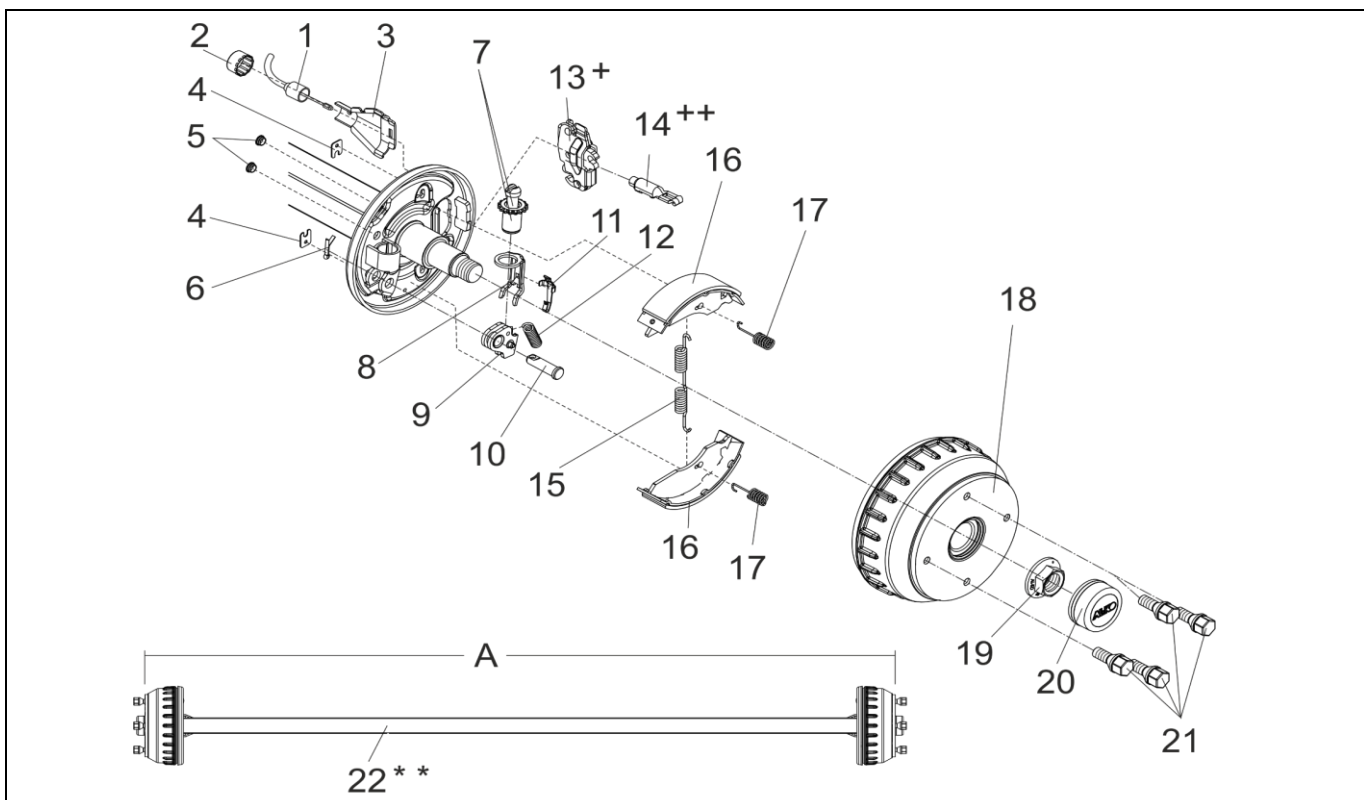
# AXIS FIXED BRAKED EA1300KG TYP BS1300 2051 (45X45)

ETI- No. 811833

(Specify the order with the ETI No.)

# AL-KO

Spare Parts



Item	Description	Part No.
1	MOUNTABLE BOWDEN CABLE	
	350 / 546 LONG	247281
	530 / 726 LONG	247282
	770 / 966 LONG	247283
	890 / 1086 LONG	247284
	1020 / 1216 LONG	247285
	1130 / 1326 LONG	247286
	1320 / 1516 LONG	247287
	1430 / 1626 LONG	247288
	1620 / 1816 LONG	247289
1790 / 1986 LONG	247290	
2	PROTECTIVE CAP	371389
3	CUP	371387
4	COVER PLATE	2382610002
5	STOPPER GREEN	373245
6	SPLINT PIN DIN 94 4X20-VZ	700192
7	ADJUSTING SCREW AND THE ADJUSTING NUT	21873708
8	BOW PRESSURE	368361
9	AUTO-REVERSE LEVER LEFT	571386
	RIGHT	571387

Item	Description	Part No.
10	BEARING BOLT	368651
11	COMPOUND SPRING	368405
12	TENSION SPRING	2187370003
13	SPREAD HINGE LOCK	+ 571510
14	CONNECTION EYE	++ 604262
15	TENSION SPRING	2082000007
16	SET BRAKE JAW FOR AXLE INCL (COVER PLATE, TENSION SPRING, PRESSURE SPRING)	1213889
17	PRESSURE SPRING	2088800003
18	BRAKE DRUM COMPLETE WITH BEARINGS	
	Ø139.7X4 M12X1.5	695397
	SPARE PARTS SET: 1X BEARING, 1X CIRCLIP, 1X FLANGE NUT	1224803
19	FLANGE NUT M24X1.5	581200
20	END CAP Ø57	581197
21	WHEEL BOLT CONUS M12X1.5	2081670018
22	AXIS PROFILE SQUARE 45X45 COMPLETE	**

+ THE CENTRE OF ROTATION OF THE BRAKE LEVER MUST BE FIXED ON THE SAME SIDE AS THE BOLT OF THE AUTO-REVERSE.  
 ++ THE OPEN SIDE OF THE CONNECTION EYE FOR THE BOWDEN CABLE MUST SHOW TO THE CENTRE OF ROTATION OF THE BRAKE LEVER.  
 \*\* WHEN ORDERING PLEASE INDICATE SIZE A AND B!

THE RETAIL OF INDIVIDUAL BRAKE SHOES IS NOT PERMITTED BY EU DIRECTIVE FROM 1st OF OCTOBER 2002.  
 ATTENTION: THE SET INCLUDES FOUR BRAKE SHOES AND THE APPENDANT TENSION SPRINGS, PRESSURE SPRINGS AND COVER PLATES.

provided	ETI-No.	changed	Change No.	Reason of the change	Revisions-No.
01.08.16ÖJ	811833_en		FREIGABE		A