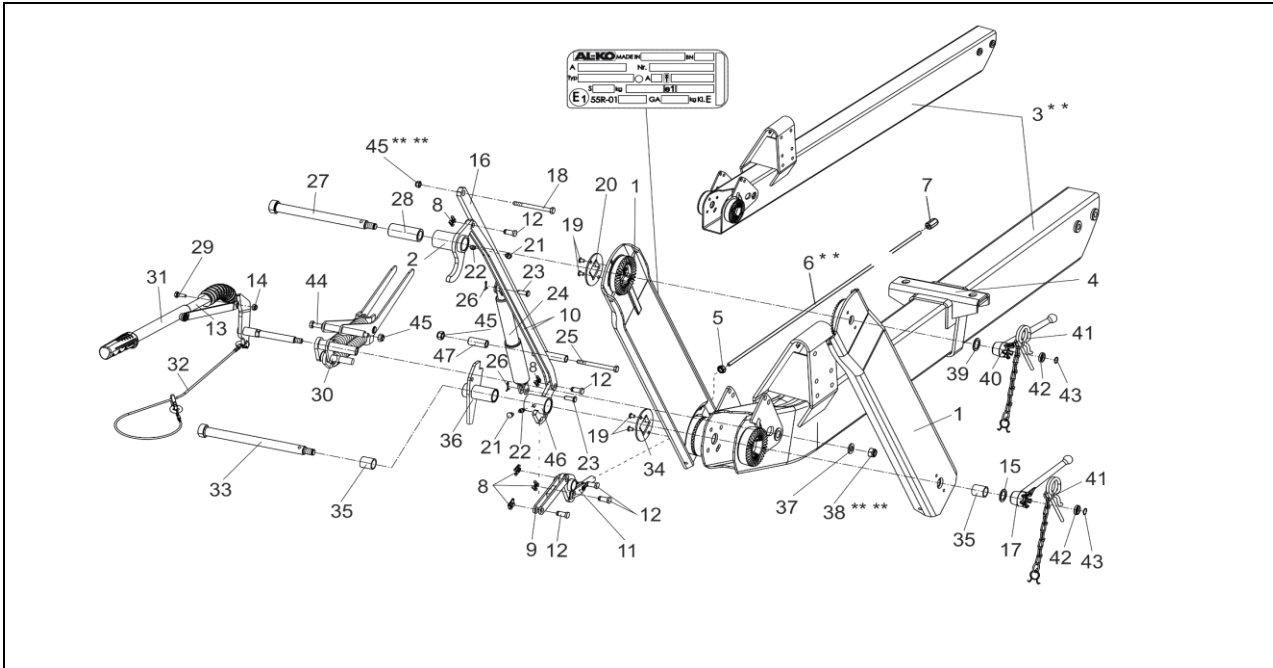


DRAWBAR WITH ADAPTER 352VB-2 OPTIMA FROM YEAR 2016

ETI- No. 811819

(Specify the order with the ETI No.)

Spare Parts



Item	Description	Part No.
1	ADAPTER WITH LABEL	
	400MM LONG	1652778
	600MM LONG	1652779
	700MM LONG	1652780
2	BELL CRANK (INCL. GREASE NIPPLE CONUS)	694312
3	DRAWBAR PROFILE STRAIGHT, CRANKED	**
4	SUPPORT FRAME 120X160	1211106
5	HEX NUT DIN 934-M12-8-ZN8DISP	705379
6	DRAW TUBE	**
7	BALL SEAT NUT M12 (35MM LONG)	2176480406
8	SL-FUSE Ø12-ZN8DISP	706262
9	PUSH BAR	694355
10	TRANSFER ROD 352VB-2	
	FOR ADAPTER 400MM LONG	1652415
	FOR ADAPTER 600MM LONG	1652414
	FOR ADAPTER 700MM LONG	1651165
11	BELL CRANK COMPLETE	
	DRAWBAR PROFILE CRANKED	
	WHEEL BRAKE 2051 iH = 90/27	694497
	WHEEL BRAKE 2361 iH = 90/30	694362
	WHEEL BRAKE 3062/3081 iH = 90/33.5	694363
	DRAWBAR PROFILE STRAIGHT	
	WHEEL BRAKE 2051 iH = 90/27	694497
	WHEEL BRAKE 2361 iH = 90/30	694362
	WHEEL BRAKE 3062/3081 iH = 90/33.5	694363
12	BOLT	694369
13	DISTANCE BUSH	692645
14	HEX NUT DIN 985-M8-8-ZN8DISP ***	705383
15	WASHER DIN 988-32X45X2,5-ZN8DISP	706294
16	ROD PARALLEL	
	FOR ADAPTER 400MM LONG	1656326
	FOR ADAPTER 600MM LONG	1656325
	FOR ADAPTER 700MM LONG	1656368
17	CLAMP HANDLE M30X1,5-ZN8DISP	366139
18	BOLT DIN1445-12H11X113X130-ZN8DISP	706618
19	BILND RIVETS A6.4X12	702704
20	WASHER SAFETY SW 30	375103

Item	Description	Part No.
21	PROTECTION CAP	368469
22	GREASE NIPPLE CONUS DIN 71412-AS 8X1	700203
23	BOLT DIN 1434-8X22X19-ZN8DISP	706297
24	GAS SPRING	
	FOR ADAPTER 600 / 700MM	1206148
	FOR ADAPTER 400MM	1205984
25	HEX BOLT DIN 931-M10X145-8.8-ZN8DISP	706364
26	SPLINT PIN DIN 94-2X16-ZN8DISP	705488
27	BEARING BOLT M24X1,5X305	1651170
28	DISTANCE BUSH	694309
29	HEX BOLT DIN 933-M8X25-8.8-ZN	705452
30	SPRING CYLINDER	694494
31	HAND BRAKE LEVER INCL. BRAKE AWAY CABLE	
	FOR ADAPTER 400MM LONG	694801
	FOR ADAPTER 600MM LONG	694800
	FOR ADAPTER 700MM LONG	694350
32	BRAKE AWAY CABLE FOR HAND BRAKE LEVER	
	FOR ADAPTER 400MM LONG	209510
	FOR ADAPTER 600MM LONG	209534
	FOR ADAPTER 700MM LONG	375162
33	BEARING BOLT M30X1,5X352	1651171
34	WASHER SAFETY SW 36	375104
35	PLASTIC BUSH	368239
36	DISTANCE BUSH	
	FOR ADAPTER 600 / 700MM	1656373
	FOR ADAPTER 400MM	1651166
37	WASHER DIN125-A13-ZN	705397
38	HEX NUT DIN 985-M12-10-ZN-8DI ***	705526
39	WASHER DIN 988-25X36X2-ZN8DISP	706514
40	CLAMP HANDLE M24X1,5-ZN8DISP	366673
41	SPLIT PIN WITH CHAIN	604104
42	BUSH	372771
43	SNAP RING DIN 7993-A22	702366
44	HEX BOLT DIN 931-M10X140-8.8-ZN8DISP	706264
45	HEX NUT DIN 985-M10-10-ZN ***	705519
46	BELL CRANK (INCL. GREASE NIPPLE CONUS)	694358
47	BUSH 15X2X119-ZN12A	1656372

** INDICATE LENGTH AND TYPE AT THE TIME OF ORDER !

*** FOR SAFETY REASONS: SELF-LOCKING NUT AND SCREW WITH CHEMICAL SELF-LOCKING MUST BE USED ONCE. AFTER UNTIGHTEN ALWAYS USE A NEW SPARE.

provided	ETI-No.	changed	Change No.	Reason of the change	Revisions-No.
31.03.16	811819_en		FREIGABE		A