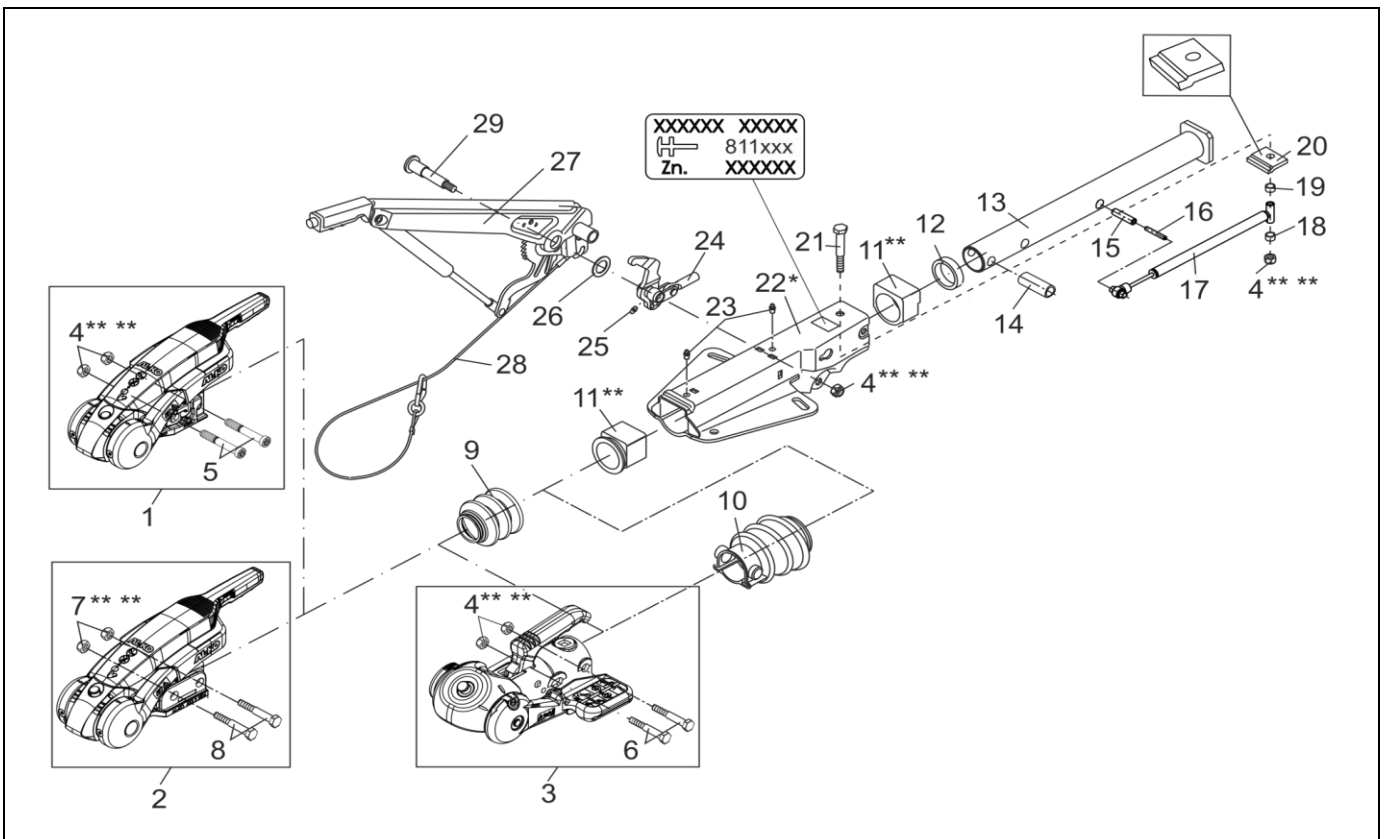


OVERRUN DEVICE V 251G WITH GASSPRING AND AKS 1300,3004,3504 BOTTOM ASSEMBLY

ETI- No. 811788

(Specify the order with the ETI No.)

AL-KO
Spare Parts



Item	Description	Part No.
1	SAFETY COUPLING AKS 3004 INCL. (POS 4,5)	1225158
2	SAFETY COUPLING AKS 3504 INCL. (POS 7,8)	1225160
3	SAFETY COUPLING AKS 1300 INCL. (POS 4,6)	245796
4	HEX NUT DIN 985-M12-10-ZN8DISP ** **	705526
5	CYLINDER HEAD SCREW WITH HEXAGON SOCKET	692034
6	HEX BOLT DIN 931-M12X75-8.8-ZN8DISP	705427
7	HEX NUT DIN 985-M16-8.8-ZN8DISP ** **	706306
8	HEX BOLT DIN 931-M16X100-8.8-ZN8DISP	706301
9	BELLOWS AKS 1300/3004/3504	607133
10	BELLOWS AKS 1300	366356
11	ET-SET: KIT BUSHING OVERRUN **	1210131
12	PROFILE RING	371372
13	DRAW TUBE	1351983
14	BUSH	357242
15	SHOCK ABSORBER	372641
16	CLAMPING PIN DIN 1481-12X48	704408
17	CLAMPING PIN DIN 1481-7X48	704407
18	BUSH FOR SCREW SIZE M12 FOR SCREW SIZE M16	647900 625646

Item	Description	Part No.
19	BUSH FOR SCREW SIZE M12 FOR SCREW SIZE M16	647903 625400
20	END STOP PLATE FOR SCREW SIZE M12 FOR SCREW SIZE M16	581699 625392
21	HEX BOLT DIN 931-M12X90-8.8-ZN8DISP DIN 931-M16X90-8.8-ZN8DISP	705434 706348
22	HOUSING	*
23	GREASE NIPPLE CONUS DIN 71412-AS 8X1	375900
24	BELL CRANK (INCL. GREASE NIPPLE CONUS) iH = 90/27 FOR CONNECTION M12 iH = 90/30 iH = 90/33.5	626796 626827 626829
25	BELL CRANK (INCL. GREASE NIPPLE CONUS) iH = 90/27 FOR CONNECTION M10	648997
26	GREASE NIPPLE CONUS DIN 71412-AS 6X1	700203
27	WASHER DIN 988-19X34X3	370693
28	HAND BRAKE LEVER INCL. BRAKE AWAY CABLE	220099
29	BRAKE AWAY CABLE FOR HAND BRAKE LEVER	368605
29	BEARING BOLT M12X1.5X106.5-VZ	581145

* ONLY COMPLETE OVERRUN DEVICE AVAILABLE, SEE IMPRINT ZN-NR.

** ATTENTION: AFTER FITTING THE BEARING BUSHES MUST BE REAMED TO THE PARTICULAR DRAW BAR DIAMETER!

*** FOR SAFETY REASONS: SELF-LOCKING NUT AND SCREW WITH CHEMICAL SELF-LOCKING MUST BE USED ONCE. AFTER UNTIGHTEN ALWAYS USE A NEW SPARE.

provided	ETI-No.	changed	Change No.	Reason of the change	Revisions-No.
08.10.15ÖJ	811788_en				A