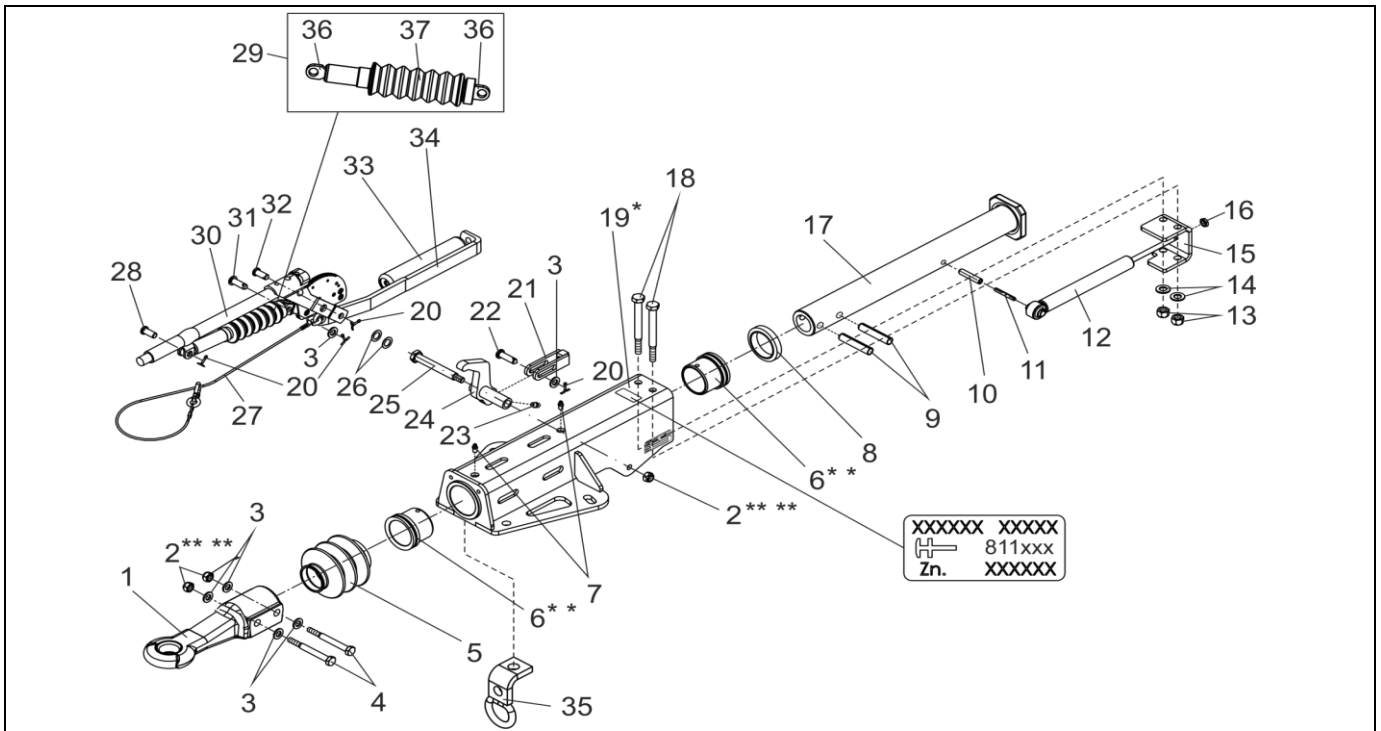


**OVERRUN DEVICE V TYPE 50V DIN-DRAWBAR EYE Ø40 AND SPRING CYLINDER, TOP ASSEMBLY**  
**ETI- No. 811708**

(Specify the order with the ETI No.)



Item	Description	Part No.
1	DRAWBAR EYE DIN Ø40	1369310
2	HEX NUT DIN 985-M12-10-ZN8DISP ** **	705526
3	WASHER DIN125-A13-ZN8DISP	705397
4	HEX BOLT DIN 931-M12X110-8.8-ZN8DISP	705420
5	BELLOWS	21726605
6	BEARING BUSH * *	2172660004
7	GREASE NIPPLE CONUS DIN 71412-AS 8X1	375900
8	PROFILE RING	2172660003
9	CLAMPING PIN DIN 13337-16X80	706033
10	CLAMPING PIN DIN 1481-12X55	701786
11	CLAMPING PIN DIN 1481-7X55	701785
12	SHOCK ABSORBER	694711
13	HEX NUT DIN 980-V M14-8-ZN8DISP	705605
14	WASHER DIN125-A15-ST-ZN8DISP	705490
15	U-PROFILE	694406
16	HEX NUT DIN 439-M10X1-04-ZN8DISP	706011
17	DRAW TUBE	694395
18	HEX BOLT DIN 931-M14X140-8.8-ZN8DISP	706353

Item	Description	Part No.
19	HOUSING	*
20	SPLINT PIN DIN 94-3.2X20-ZN8DISP	705487
21	FORK HEAD	21783407
22	BOLT DIN 1444-12X40X34.5-EN2	702857
23	GREASE NIPPLE CONUS DIN 71412-AS 6X1	700203
24	BELL CRANK (INCL. GREASE NIPPLE CONUS)	694393
25	BEARING BOLT	694708
26	WASHER POLYAMID	2075750006
27	BRAKE AWAY CABLE FOR HAND BRAKE LEVER	364306
28	BOLT	358533
29	GAS SPRING	353188
30	HAND BRAKE LEVER INCL. BRAKE AWAY CABLE	1250545
31	BOLT DIN 1444-12X35X29.5-EN2	701575
32	BOLT	358533
33	SPRING CYLINDER	21783408
34	TENSION BRACKET	647754
35	ROPE GUIDE	614721
36	STEEL EYE M10 FOR GAS PRESSURE SPRING	280978
37	BELLOWS	628033

\* ONLY COMPLETE OVERRUN DEVICE AVAILABLE, SEE IMPRINT ZN.-NR.

\*\* ATTENTION: AFTER FITTING THE BEARING BUSHES MUST BE REAMED TO THE PARTICULAR DRAW BAR DIAMETER!

\*\* \*\* FOR SAFETY REASONS: SELF-LOCKING NUT AND SCREW WITH CHEMICAL SELF-LOCKING MUST BE USED ONCE. AFTER UNTIGHTEN ALWAYS USE A NEW SPARE.

provided	ETI-No.	changed	Change No.	Reason of the change	Revisions-No.
31.03.14/ÖJ	811708_en	01.04.14/ÖJ	17820	POS.35 NEW	A