

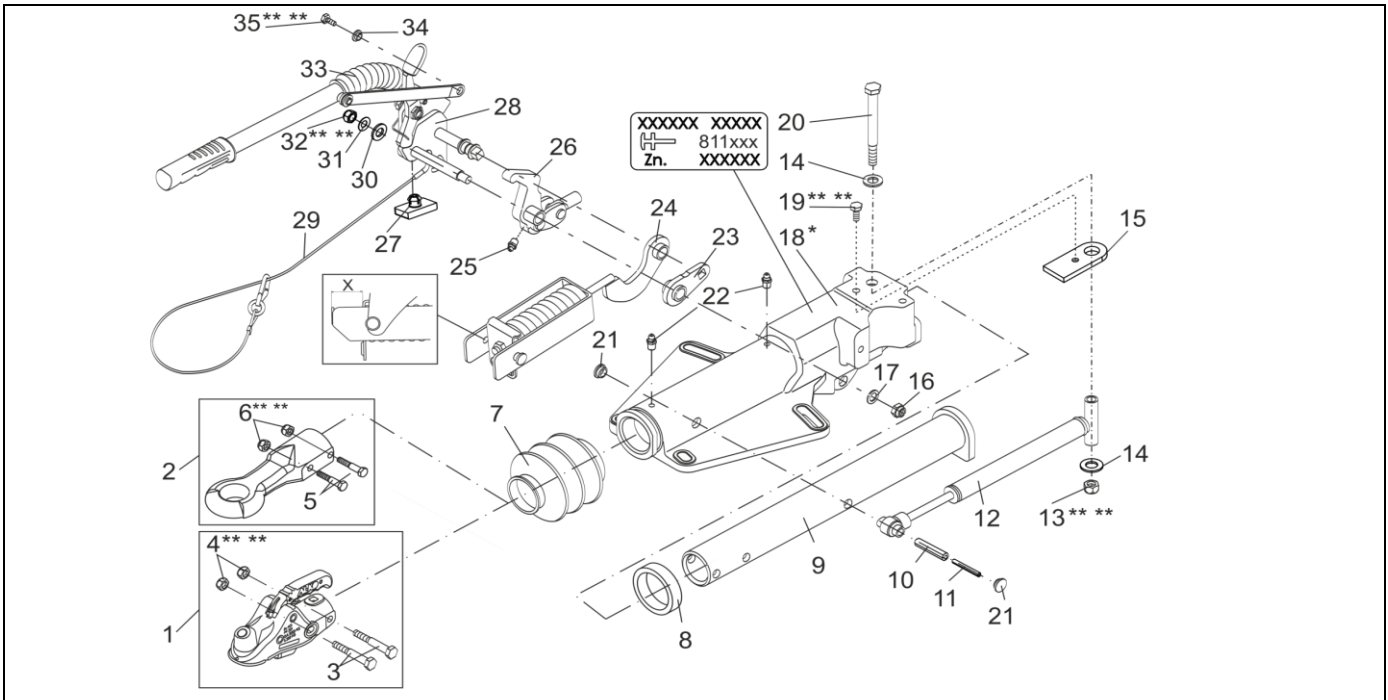
OVERRUN DEVICE V PROFI 3000 HAND BRAKE LEVER LOWERED

ETI- No. 811572

(Specify the order with the ETI No.)

AL-KO

Spare Parts



Item	Description	Part No.
1	COUPLING AK 301	1221746
2	DRAWBAR EYE DIN Ø40 INCL. (POS.5,6)	1213350
	DRAWBAR EYE NATO Ø76 INCL. (POS.5,6)	1224111
3	HEX BOLT DIN 931-M12X85-8.8-A3C	703551
4	HEX NUT DIN 980-V M12-8-A3C ** **	704065
5	HEX BOLT DIN 931-M12X90-8.8-A3C	702823
6	HEX NUT DIN 985-M12-10-A3C ** **	702750
7	BELLOWS	366356
8	PROFILE RING	371372
9	DRAW TUBE	692281
10	CLAMPING PIN DIN 1481-12X48	704408
11	CLAMPING PIN DIN 1481 7X48	704407
12	SHOCK ABSORBER	1217089
13	HEX NUT DIN 985-M14-10-A3C ** **	701568
14	WASHER DIN125-ST-A15-DAC	704622
15	END STOP PLATE	692258
16	HEX NUT DIN 980-V M12-8-A3C	704065
17	WASHER DIN125-A13-A3C	700140
18	HOUSING	*
19	HEX BOLT DIN 933-M10X20-8.8-A3C ** **	706090

Item	Description	Part No.
20	HEX BOLT DIN 931-M14X110-8.8-A3C	701992
21	STOPPER	372416
22	GREASE NIPPLE CONUS DIN 71412-AS 8X1	700204
23	LEVER	692687
24	SPRING CLIP X = 42 MM ONLY FOR SINGLE-AXLE-TRAILER! X = 50 MM ONLX FOR TANDEM-AXLE-TRAILER!	693106 693116
25	GREASE NIPPLE CONUS DIN 71412-AS 6X1	700203
26	BELL CRANK (INCL. GREASE NIPPLE CONUS) iH = 90/30	692711
27	END STOP RUBBER	693076
28	HAND BRAKE LEVER LOWERED INCL. BRAKE AWAY CABLE	693064
29	BRAKE AWAY CABLE	209385
30	WASHER DIN125-A17-A3C	700625
31	DISC SPRING DIN 2093-A25	700507
32	HEX NUT DIN 985-M12-10-A3C ** **	702750
33	ET-SET BELLOWS	1225358
34	BUSH	692645
35	HEX BOLT DIN 933-M8X16-8.8-A3C ** **	706089

* ONLY COMPLETE OVERRUN DEVICE AVAILABLE, SEE IMPRINT ZN.-NR.

** ** FOR SAFETY REASONS: SELF-LOCKING NUT AND SCREW WITH CHEMICAL SELF-LOCKING MUST BE USED ONCE.
AFTER UNTIGHTEN ALWAYS USE A NEW SPARE.

provided	ETI-No.	changed	Change No.	Reason of the change	Revisions-No.
07.04.10	811572_en	04.04.2011	16376	POS 26 CHANGED, POS 27 NEW; CORRECTED	B
		22.05.13/ÖJ	17399	Pos.19 was 703571, Pos.35 was 703570	C