

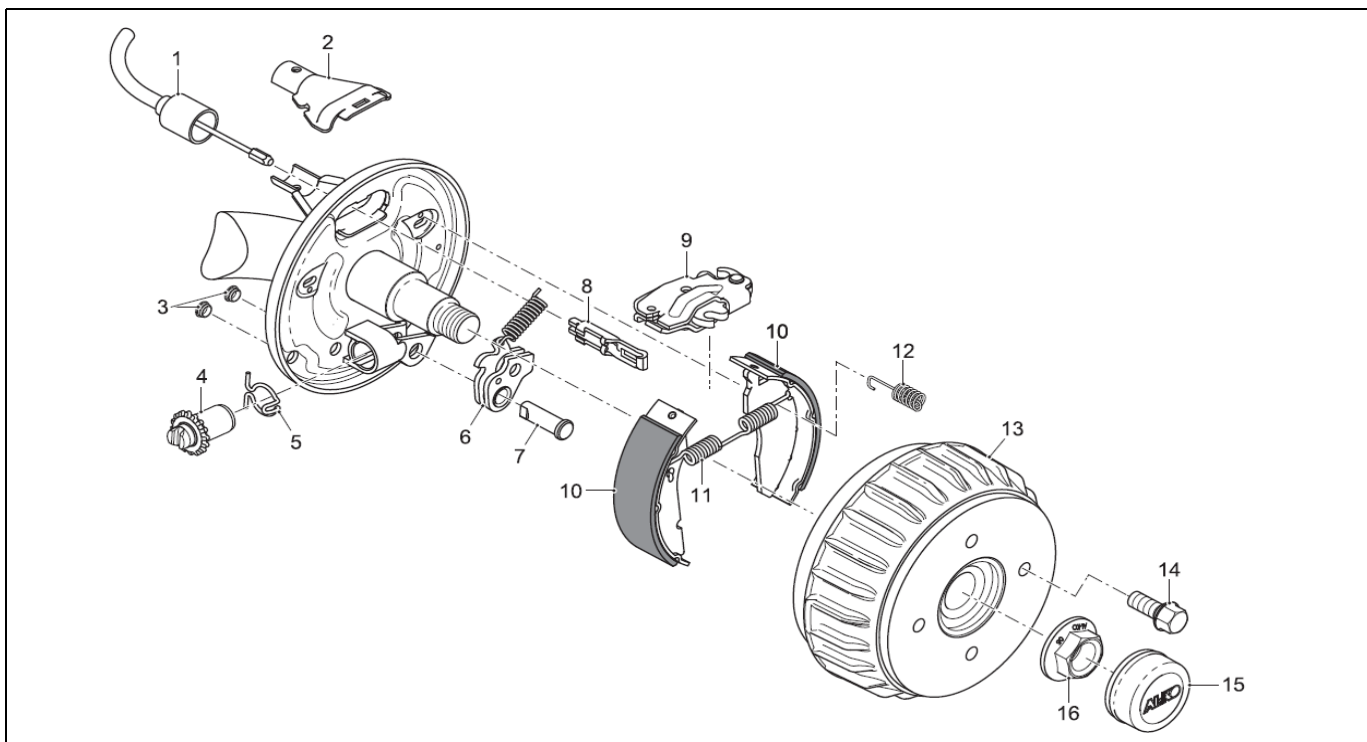
# WHEEL BRAKE 1636G COMPACT BEARING

ETI- No. 811553

(Specify the order with the ETI No.)

**AL-KO**

Spare Parts



Pos.	Bezeichnung	Material-Nr.
1	BOWDEN CABLE 350/ 546	247281
1	BOWDEN CABLE 530/ 726	247282
1	BOWDEN CABLE 770/ 966	247283
1	BOWDEN CABLE 890/1086	247284
1	BOWDEN CABLE 1020/1216	247285
1	BOWDEN CABLE 1130/1326	247286
1	BOWDEN CABLE 1320/1516	247287
1	BOWDEN CABLE 1430/1626	247288
1	BOWDEN CABLE 1620/1816	247289
1	BOWDEN CABLE 1790/1986	247290
2	BOWL	371387
3	STOPPER	373245
4	ADJUSTING BOLT AND ADJUSTING NUT	21873708
5	SPRING RING	606692
6	AUTO-REVERSE LEVER LEFT	645426
	TENSION SPRING LEFT	2188870001
	AUTO-REVERSE LEVER RIGHT	645427
	TENSION SPRING RIGHT	372805
7	BEARING BOLT	606691

Pos.	Bezeichnung	Material-Nr.
8	CONNECTION EYE	604262
9	SPREAD HINGE LOCK	570666
10	SET BRAKE JAW	1213888
11	TENSION SPRING	2182150003
12	COMPRESSION SPRING	2088800003
13	BREAK DRUM 98X4 CPL	623748
13	BREAK DRUM 100X4 CPL	623749
13	BREAK DRUM 112X5 CPL	623750
14	WHEEL BOLT CONUS M12X1,5	2081670018
14	WHEEL BOLT BALL M12X1,5	2081670020
14	WHEEL BOLT BALL M12X1,5 (R13)	372138
15	END CAP	581197
16	FLANGE NUT M24X1,5	581200

The retail sale of brake jaws is not permissible by EU Directive from 01.Oct 2002!

Attention: POS 11 and 12 oddly orderable or in set brake jaw 1213888 contained.

Erstellt	ETI-Nummer	geändert	Änderungs-Nr.	Änderungsgrund	Revisions-Nr.
17.12.08	811553_en	03.12.2009	FREIGABE		A