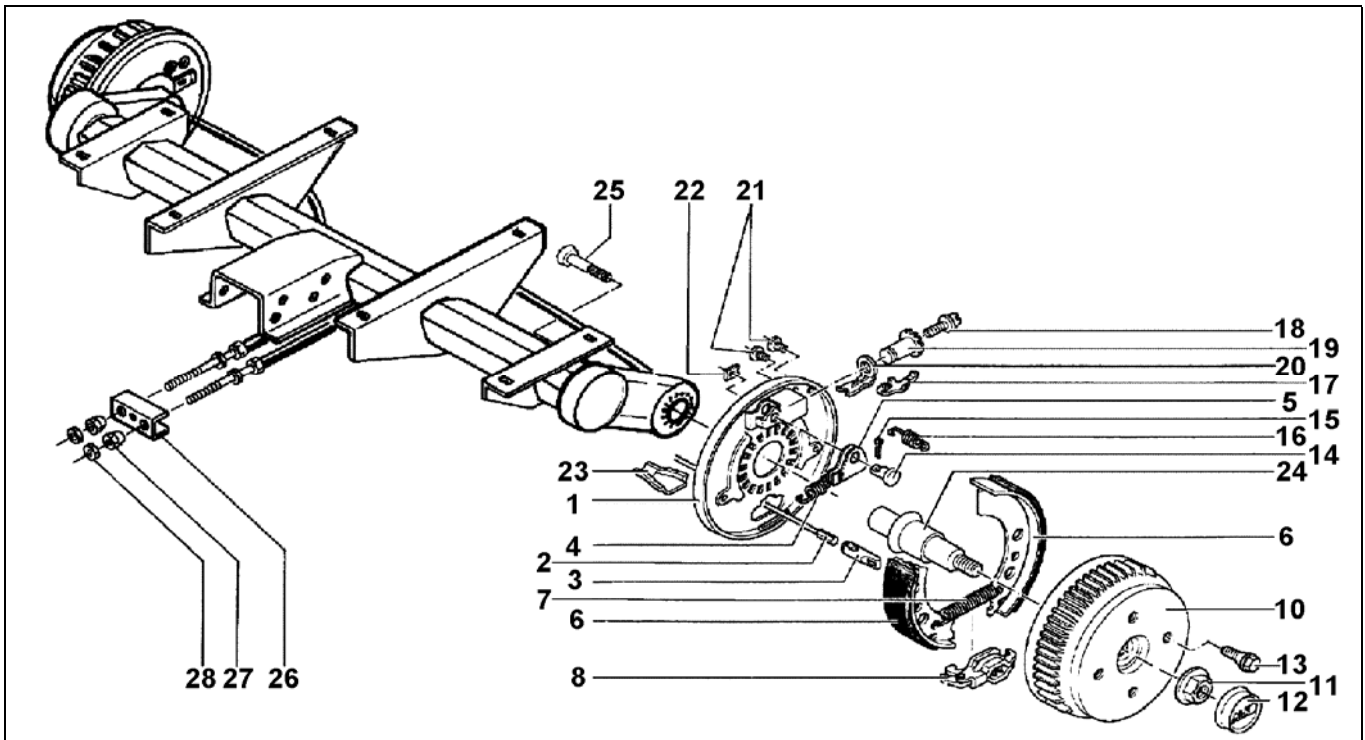


COMP-AXLE B 850 2051 ATLAS-COPCO

ETI- No. 811423

(Specify the order with the ETI No.)

AL-KO
Spare Parts



Item	Description	Drawing No.
1	BRAKING PLATE WELDED LEFT	571376
1	BRAKING PLATE WELDED RIGHT	571377
2	BOWDEN CABLE 530/ 726	247282
3	CONNECTION EYE	604262
4	TENSION SPRING LEFT	2187370003
4	TENSION SPRING RIGHT	2187370003
5	AUTO-REVERSE LEVER LEFT	571386
5	AUTO-REVERSE LEVER RIGHT	571387
6	SET BRAKE JAW	1213889
7	TENSION SPRING	2082000007
8	SPREAD LOCK	571510
10	BRAKE DRUM CPL 100X4 UNIT-BEARING	623112
	ET-SET: BEARING-CRIPCLIP-FLANGE NUT	1224801
11	FLANGE NUT	581200
12	END CAP	581197
13	WHEEL BOLT M12X1,5 CONUS	2081670018
14	BEARING BOLT	368651
15	SPLINT 4X20 DIN94	700192
16	COMPRESSION SPRING	2088800003
17	FLAT SPRING	368405
18	ADJUSTING BOLT AND	21873708
19	ADJUSTING NUT	
20	COMPRESSION BINDER	368361
21	STOPPER	373245

Item	Description	Drawing No.
22	COVER PLATE	2382610002
23	BOWL	371387
24	STUB AXLE	605119
25	BOLT M20X60	704096
26	COMPENSATION PROFILE	2385760002
27	SPHERIC NUT M8	2088890005
28	NUT HEX M8	700108

The retail sale of brake jaws is not permissible by EU Directive from 01.Oct 2002!

Attention: Pos. 7, 16 and 22 oddly orderable or in set brake jaw 1213889 contained.

provided	ETI-No.	changed	Change No.	Reason of the change	Revisions-No.
26.06.03	811423_en	03.08.2009	FREIGABE		A
		15.02.2011	16422	SEE CHANGE NOTICE	B