

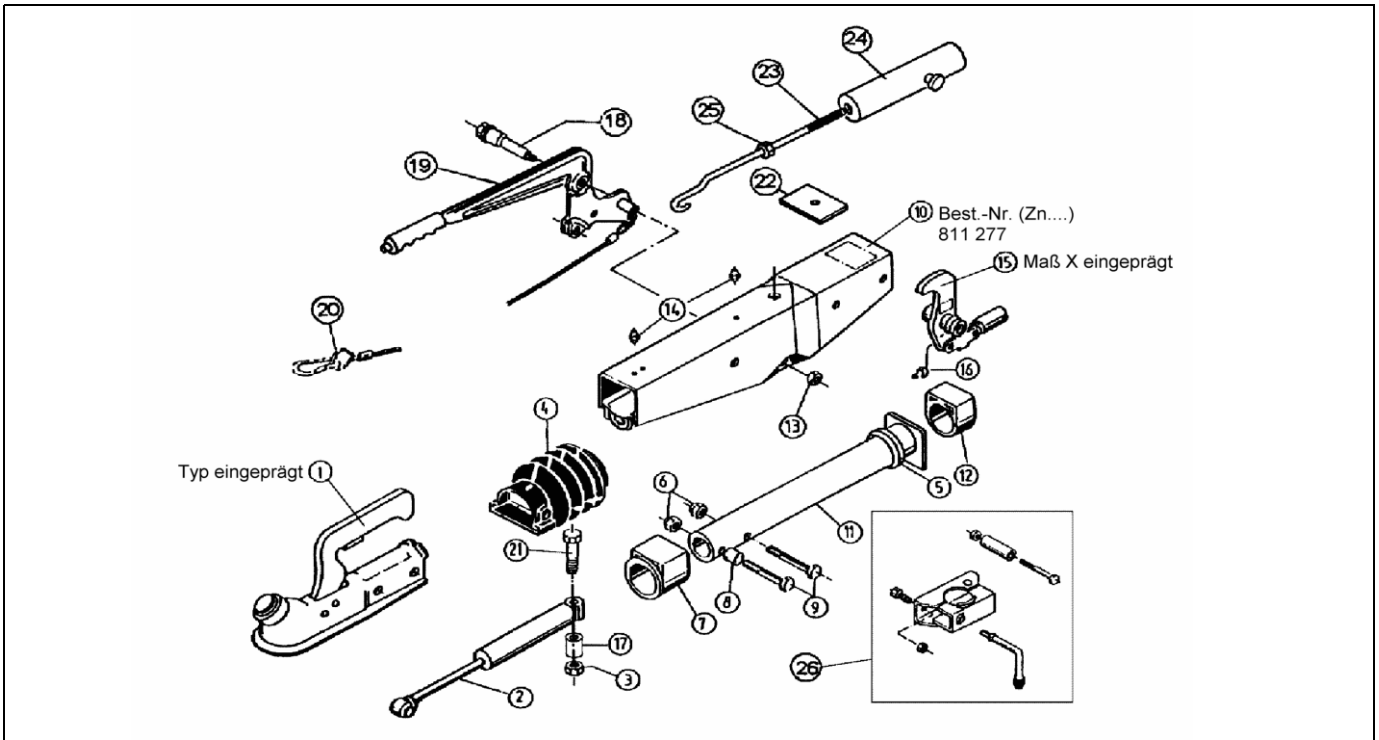
OVERRUN DEVICE 161 S VKT 70

ETI- No. 811277

(Specify the order with the ETI No.)

AL-KO

Spare Parts



Item	Description	Drawing No.
1	COUPLING (PURCHASE ORDER BY TYPE, WITHOUT FIXING MATERIAL)	
2	SHOCK ABSORBER	370556
3	NUT HEX M12 DIN 980-10 A3C	704065
4	BELLOWS	366356
5	PROFILE RING	371372
6	NUT HEX M12 DIN 980-10 A3C	704065
7	BUSH (NOT RUB OUT)	353943
8	BUSH	357242
9	BOLT HEX M12x70	700061
10	BODY CPL. WITH BUSHS OVERRUN DEVICE	AT THE TIME OF ORDER SEE GRAVE-DRAWING-NO. OVERRUN DEVICE
11	DRAW TUBE WELDED	571873
12	BUSH (NOT RUB OUT)	353942
13	NUT HEX M12 DIN 980-10 A3C	704065
14	GREASE NIPPLE AM 8x1 CONUS	375900
15	BELL CRANK UNI WITH JOINT HEAD AND GREASE NIPPLE MONT	380525 380526
16	GREASE NIPPLE AM 6 CONUS	700203
17	BUSH	325660
18	BEARING BOLT	647114
19	HAND BRAKE LEVER CPL. WITH BRAKE AWAY CABLE	645420
20	BRAKE AWAY CABLE WITH HOOK	368605

Item	Description	Drawing No.
21	BOLT HEX 12x120 DIN 931	701670
22	END STOP PLATE	581699
23	HOOK ROD	607013
24	SPRING CYLINDER CPL.	645388
25	NUT HEX M12 DIN 985	702750
26	CLAMP FOR TUBE 48 (RETROFIT KIT COULD ADD ON OPTIONALLY)	293020

AT THE TIME OF ORDER ALWAYS INDICATE ETI-NO.

provided	ETI-No.	changed	Change No.	Reason of the change	Revisions-No.
30.04.99	811277_en	15.02.2010	FREIGABE		A