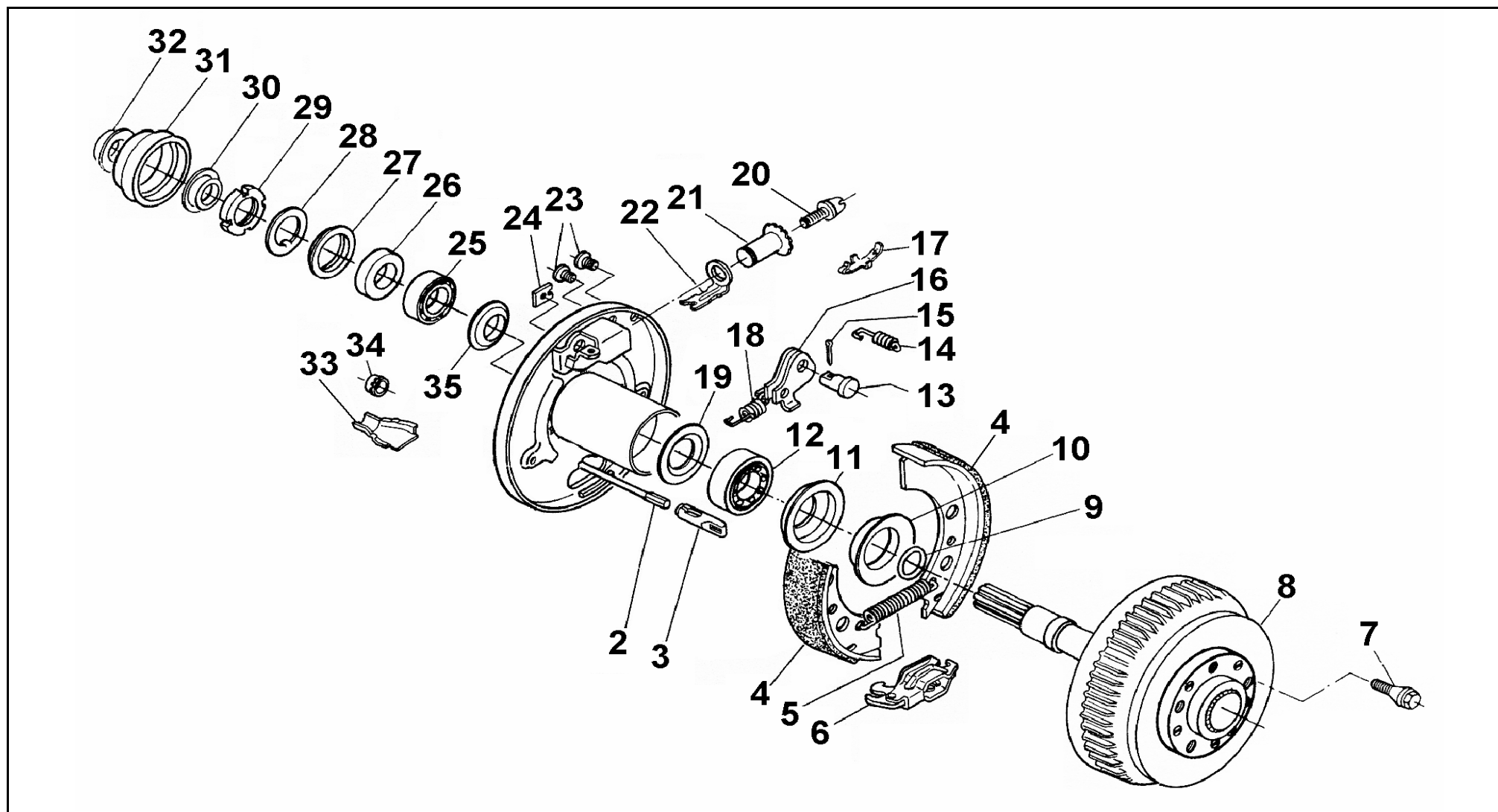


AXLE EURO PLUS DRIVE VERS 2 RB2051 REVISED SEAL

ETI- No. 811166

(Specify the order with the ETI No.)

Spare Parts



Item	Description	Drawing No.
2	CONNECTING BOWDEN CABLE	350 299707
		530 299708
		770 299709
		890 299710
		1020 299711
		1130 299712
		1320 299713
		1430 299714
		1620 299715
1790 299716		
3	CONNECTING EYE	604262
4	SET BRAKE JAW	123889
5	TENSION SPRING	2082000007
6	SPREAD HINGE LOCK	571510
7	WHEEL BOLT	CONUS M12x1,5 2081670018
		SPHERIC M12x1,5 2081670020
		SPHERIC M12x1,5 (R13) 372138
8	BRAKE DRUM CPL.	614615
9	O-RING 28x1 N70B	589434
10	V-SEAL TWVA 00700-V65B	603820
11	SHAFT SEALING RING AS 42x62x7	700272
12	TAPERED ROLLER BEARING 32007X	700261
13	BEARING BOLT	368651
14	COMPRESSION SPRING	208880003
15	SPLINT 4x20 DIN 94	700192

Item	Description	Drawing No.
16	AUTO-REVERSE LEVER LEFT	571386
17	FLAT SRPING	368405
18	TENSION SPRING	2187370003
19	SEALING SHIM	2382970004
20	ADJUSTING BOLT (ONLY WITH POS. 21)	
21	ADJUSTING NUT CPL.	21873708
22	COMPRESSION BINDER	368361
23	STOPPER	373245
24	COVER PLATE	2382610002
25	TAPERED ROLLER BEARING 30206	700259
26	BUSH	603822
27	SHAFT SEALING RING 25x47x7	703358
28	TAB WASHER 28 DIN 462	702688
29	SLOTTED NUT M28x1,5	702806
30	V-SEAL TEVA 00250-N60B-AF	603819
31	CAP	603824
32	V-SEAL TEVA 00250-N60B-AF	603819
33	BOWL	371387
34	CAP	371389
35	SEALING SHIM	2382970003

THE RETAIL SAIL OF BRAKE JAWS IS NOT PERMISSIBLE BY EU DIRECTIVE FROM 01. OCT 2002!

ATTENTION: POS 5, 14, 24 ODDLY ORDERABLE OR IN SET BRAKE JAW 1213889 CONTAINED!

provided	ETI-No.	changed	Change No.	Reason of the change	Revisions-No.
26.02.97	811166_en	09.02.2010	FREIGABE		A