

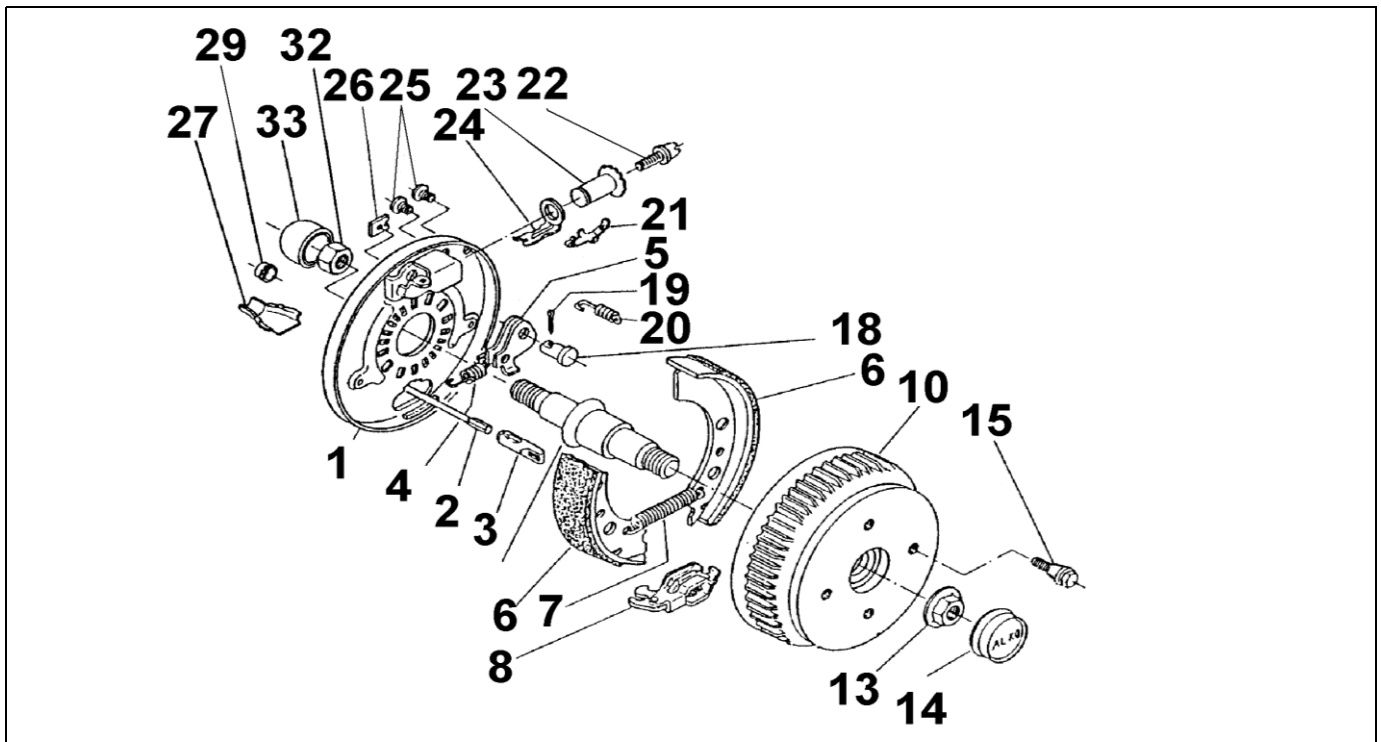
WHE BR EURO PLUS 2051 650KG TILL 10/94

ETI- No. 811002

(Specify the order with the ETI No.)

AL-KO

Spare Parts



Item	Description	Drawing No.
1	BRAKING PLATE WELDED LEFT	
	650 KG	571376
	750 KG	586406
	BRAKING PLATE WELDED RIGHT	
2	650 KG	571377
	750 KG	586407
	BOWDEN CABLE HANGABLE 350	299707
	BOWDEN CABLE HANGABLE 530	299708
	BOWDEN CABLE HANGABLE 770	299709
	BOWDEN CABLE HANGABLE 890	299710
	BOWDEN CABLE HANGABLE 1020	299711
	BOWDEN CABLE HANGABLE 1130	299712
	BOWDEN CABLE HANGABLE 1320	299713
BOWDEN CABLE HANGABLE 1430	299714	
BOWDEN CABLE HANGABLE 1620	299715	
BOWDEN CABLE HANGABLE 1790	299716	
3	CONNECTION EYE	371388
4	TENSION SPRING LEFT	2187370003
	TENSION SPRING RIGHT	2187370003
5	AUTO-REVERSE LEVER LEFT	571386
	AUTO-REVERSE LEVER RIGHT	571387
6	SET BRAKE JAW	1213889
7	TENSION SPRING	2082000007
8	SPREAD HINGE LOCK	571510
10	BRAKE DRUM CPL WITH BEARING	
	98x4/M12x1,5	573191
	100x4/M12x1,5	573192
	650 KG: 112x5/M12x1,5	573193
	750 KG: 112x5/M12x1,5	586450
	650 KG: 120x5/M12x1,5	614805

Item	Description	Drawing No.
10	ET-SET: BEARING-CIRCLIP-FLANGE NUT	1224803
13	FLANGE NUT	581200
14	CAP	581197
15	CONUS WHEEL BOLT M12x1,5	2081670018
	SPHERIC WHEEL BOLT M12x1,5	2081670020
	SPHERIC WHEEL BOLT M12x1,5 (R13)	372138
18	BEARING BOLT	368651
19	SPLINT4x20 DIN 94	700192
20	COMPRESSION SPRING	2088800003
21	FLAT SPRING	368405
22	ADJUSTING BOLT AND	
23	ADJUSTING NUT	21873708
24	COMPRESSION BINDER	368361
25	STOPPER 10x13x11	373245
26	COVER PLATE	2382610002
27	BOWL	371387
29	CAP	371389
31	STUB AXLE FOR	
	STABLE SWINGARM -900 KG SL/LL	583563
	STABLE SWINGARM 900 - 1300 KG LL	581043
	STABLE SWINGARM 900 - 1500 KG SL	581043
	FORGED LEVER 900 - 1500 KG SL	583664
32	SELF-LOCKING NUT	702881
33	PROTECTING CAP	604472

The retail sale of brake jaws is not permissible by EU Directive from 01.Oct 2002!
Attention: POS 7, 20, 26 oddly orderable or in set brake jaw 1213889 contained!

provided	ETI-No.	changed	ange No.	Reason of the change	Revisions-No.
08.05.92	811002_en	11.01.2010	FREIGABE		A
		01.02.2011	16422	SEE CHANCE NOTICE	B