

BRAKED HALF AXLES

1,300 kg / 112 x 5 and 1,500 kg / 112 x 5

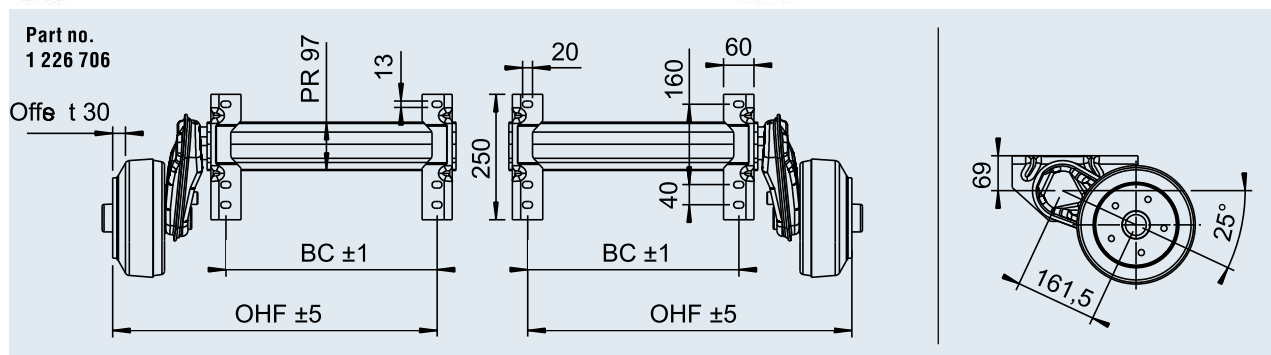
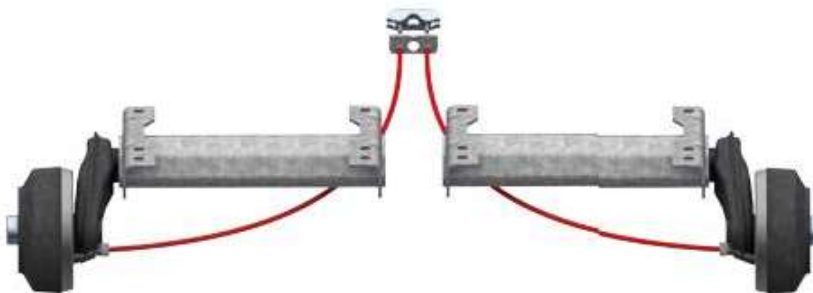
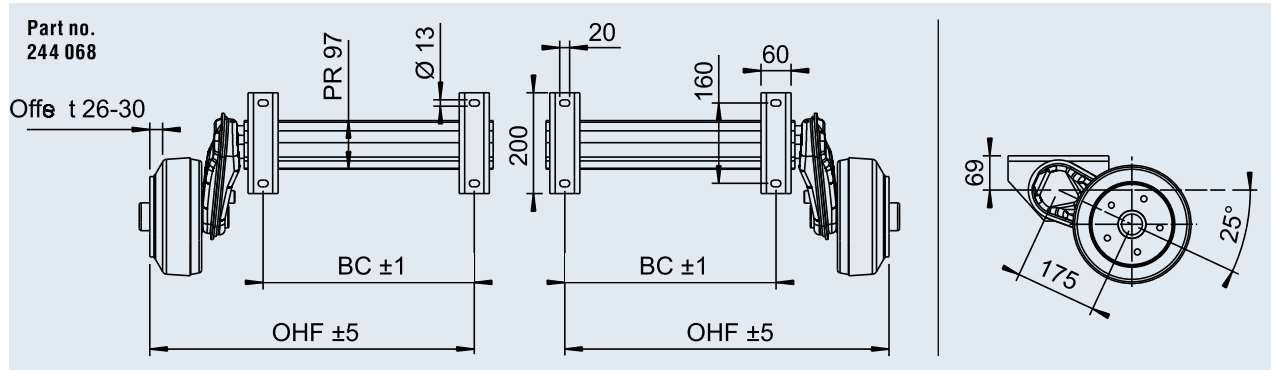
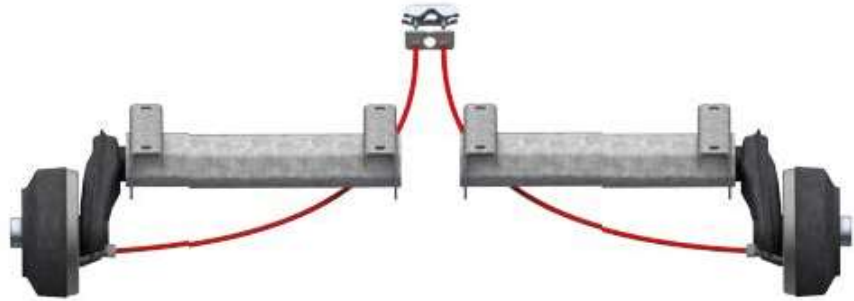


SCOPE OF DELIVERY

- I Adapter bracket single axle loose
- I Single axle trailer compensation profile loose
- I Bowden cables loose
- I Wheel bolts loose

SURFACE TREATMENT

- I Hot-dip galvanised axle profile



SAP: EURO1ACHSE GRM GLL HA1300

Part no.	Axle load per pair kg	Type	Wheel brake	Wheel connection	BC mm	OHF mm				
244 068	1,300	B 1200-5	2051 vers. A	112x5	420	700	51	-	30	10
1 226 706	1,500	B 1200-5	2051 vers. A	112x5	420	645	49	-	30	10

BRAKED HALF AXLES

1,800 kg / 112 x 5 and 2,500 kg / 205 x 6

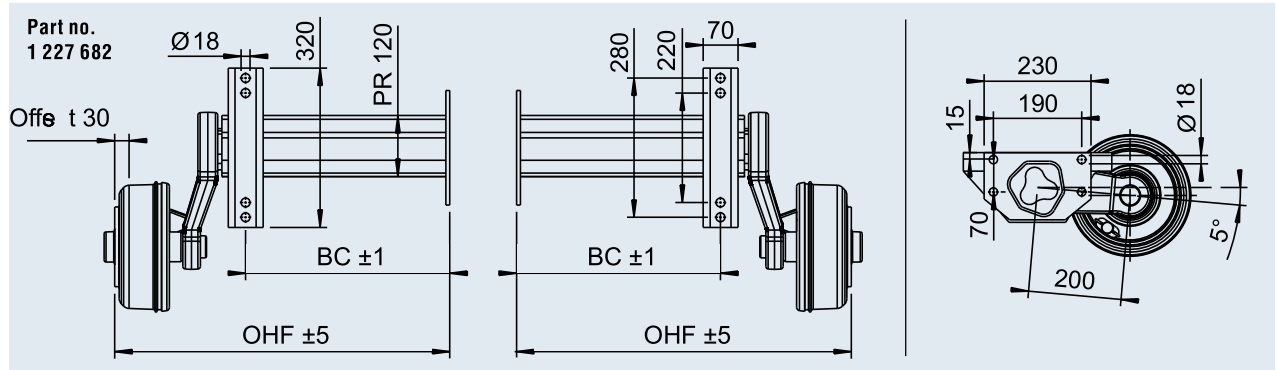
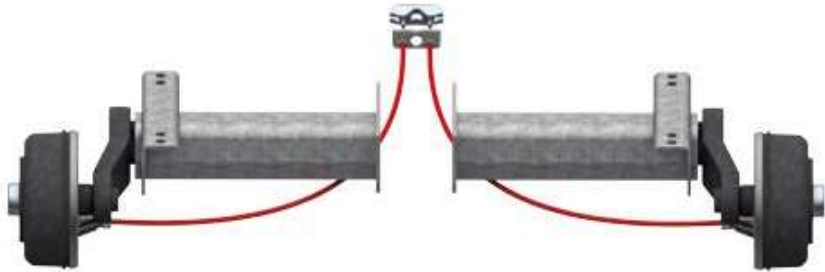


SCOPE OF DELIVERY

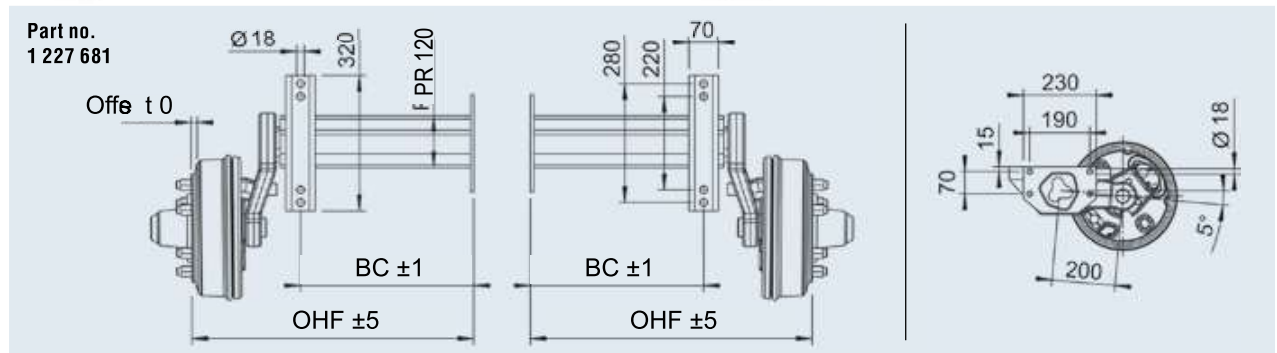
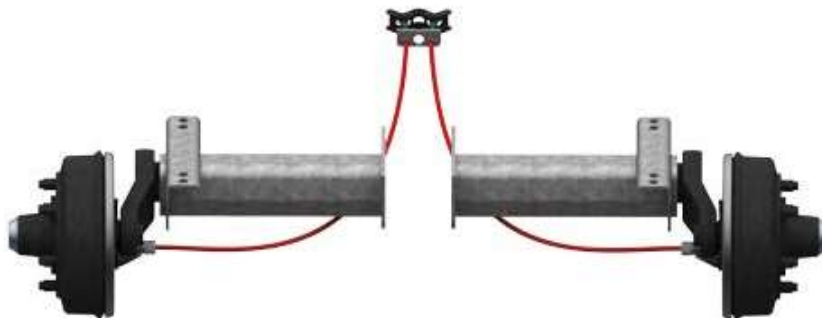
- ▮ Adapter bracket single axle loose
- ▮ Single axle trailer compensation profile loose
- ▮ Bowden cables loose
- ▮ Wheel bolts loose

SURFACE TREATMENT

- ▮ Hot-dip galvanised axle profile



4



SAP: ACHSE GU LNGS GRM EA1800

Part no.	Axle load per pair kg	Type	Wheel brake	Wheel connection	BC mm	OHF mm				
1 227 682	1,800	B 2000-0	2361	112x5	410	673	92	-	30	10
1 227 681	2,500	B 2500-8	3062	205x6	410	668	108	-	30	10