

BOLT-ON DRAWBAR CONNECTION PROFILES

for COMPACT and PLUS axles

YOUR ADVANTAGE

- Combine your special chassis from stocked parts.
- Time-consuming welding on a top hat profile is no longer necessary.

SURFACE TREATMENT

- Hot-dip galvanised

SCOPE OF DELIVERY

- (See technical drawing) incl.
- Mounting instructions, packed in cardboard box.
- Without fixing bolts for connection to the axle.

MOUNTING

1. Drawbar bolted to drawbar connection profiles

- Select a correct connection hole for the existing drawbar diameter on profiles.
- Position drawbar connection profiles at the side of the drawbar and secure with hexagon bolt (M12/M16).

Important: The spacer tube must be pressed or placed into the drawbar.

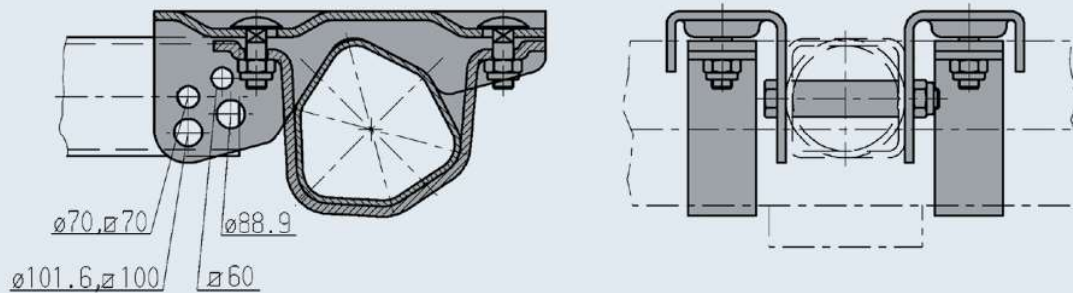
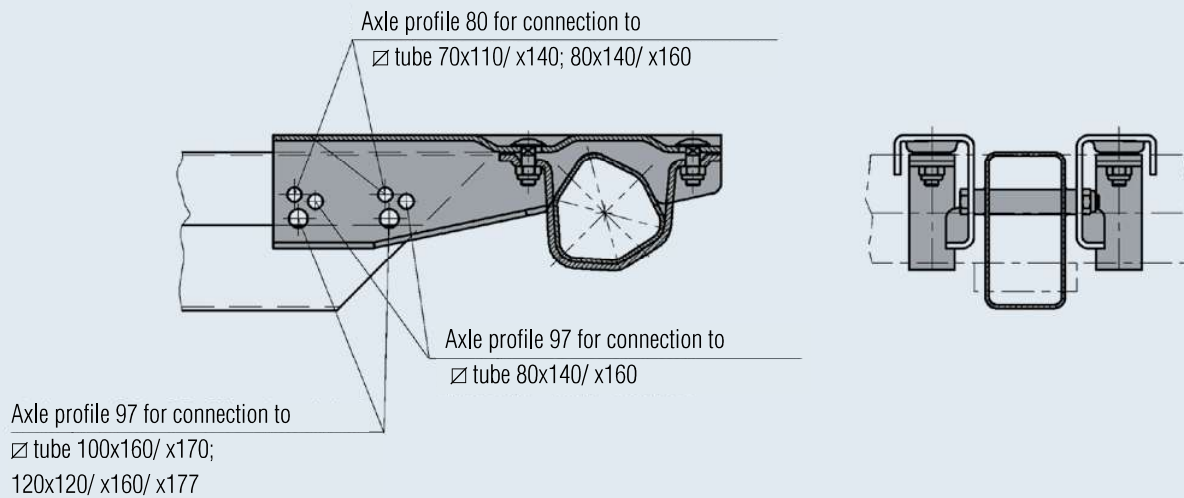
2. Fasten drawbar connection profiles to axle

- Place drawbar connection profiles on axle, bolt on with clamping bracket and supplied round-head screws (M12x35) as well as nuts.
- Align drawbar with axle and bolt on firmly.



SAP: SCHRAUBKLEMMVERBNDG PR 97VERP-45

Part no. Version	Version	for Compact, Plus hexagonal rubber suspension axle (from year of manufacture 1999)		Axle profile	Ø round	Square			
		Single axle	Tandem						
247 853	A	B 850/ B 1000	2000	80	70 88.9	60x60 70x60 100x100	4	- 100	2
247 684	A	B 1200/ B 1600	2600	97	70 88.9	70x70 100x100	4	- 100	2
249 116	B	B 850/ B 1000	1600	80		70x110 70x140 80x140	7	- 100	2
249 117	B	B 1200/ B 1600	3200	97		80x140 80x160 100x160 100x177 120x120 120x160 120x177	7	- 100	2

Version A – for overrun devices with central tube

Version B – for height-adjustable overrun devices as well as with central tube type R35 (120x120)

Recommended bolts for fastening to the drawbar with corresponding tightening torques

for drawbar section	Recommended bolt	Tightening torque*
Square 60x60 mm	M 12 x 100 8.8	75 Nm
Square 70x70 mm and round tube \varnothing 70 mm	M 12 x 110 8.8	75 Nm
Round tube \varnothing 88.9 mm	M 16 x 120 8.8	195 Nm
Square tube 100x100 mm	M 16 x 130 8.8	195 Nm
Square tube 70x110, 70x140 mm	M 12 x 120 8.8	75 Nm
Square tube 80x140, 80x160mm	M 12 x 120 8.8	75 Nm
Square tube 100x160, 100x170 mm	M 16 x 160 8.8	195 Nm
Square tube 120x120, 120x160, 120x177 mm	M 16 x 160 8.8	195 Nm

*Tightening torque must be selected according to the surface coating and friction value!