

RIGID BRAKED AXLE 1,500 KG PLUS

112x5



TECHNOLOGY

Model: PLUS
 Axle type: BS 1500
 Axle load: SA 1,500 kg
 Wheel connection: 112x5 – M12x1.5

SURFACE TREATMENT

▮ Axle profile hot-dip galvanised

ACCESSORIES

▮ See following pages

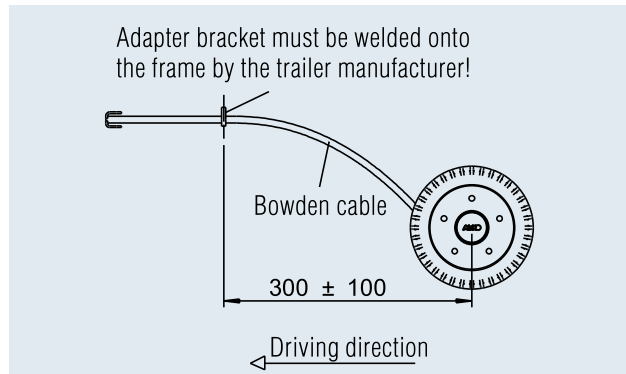


SAP: ACHSE -- STARR GRM EA1500

Single axle with wheel connection 112x5 RIGID GBR PLUS BS 1500		Tandem axle Front axle	Rear axle	Single axle with wheel connection 112x5 watertight RIGID GBR PLUS BS 1500 WD					
OHF in mm	BC in mm	Wheel bolts	Wheel bolts	Wheel bolts	Wheel bolts				
		Ball M 12x1.5	Ball M 12x1.5	Ball M 12x1.5	Ball M 12x1.5				
		Axle cpl.	Axle cpl.	Axle cpl.	Axle cpl.				
1,150	700	200 581 01	200 581 25	200 581 50	200 582 01	38	-	50	15
1,200	750	200 581 02	200 581 26	200 581 51	200 582 02	38.5	-	50	15
1,250	800	200 581 03	200 581 27	200 581 52	200 582 03	38.9	-	50	15
1,300	850	200 581 04	200 581 28	200 581 53	200 582 04	39.3	-	50	15
1,350	900	200 581 05	200 581 29	200 581 54	200 582 05	39.7	-	50	15
1,400	950	200 581 06	200 581 30	200 581 55	200 582 06	40.2	-	50	15
1,450	1,000	1 421 796	200 581 31	200 581 56	200 582 07	40.6	-	50	15
1,500	1,050	200 581 07	200 581 32	200 581 57	200 582 08	41	-	50	15
1,550	1,100	200 581 08	200 581 33	200 581 58	200 582 09	41.5	-	50	15
1,600	1,150	200 581 09	200 581 34	200 581 59	200 582 10	41.9	-	50	15
1,650	1,200	200 581 10	200 581 35	200 581 60	200 582 11	42.3	-	50	15
1,700	1,250	200 581 11	200 581 36	200 581 61	200 582 12	42.7	-	50	15
1,750	1,300	200 581 12	200 581 37	200 581 62	200 582 13	43.2	-	50	15
1,800	1,350	200 581 13	200 581 38	200 581 63	200 582 14	43.6	-	50	15
1,850	1,400	200 581 14	200 581 39	200 581 64	200 582 15	44	-	50	15
1,900	1,450	200 581 15	200 581 40	200 581 65	200 582 16	44.4	-	50	15
1,950	1,500	200 581 16	200 581 41	200 581 66	200 582 17	44.9	-	50	15
2,000	1,550	200 581 17	200 581 42	200 581 67	200 582 18	45.3	-	50	15
2,050	1,600	200 581 18	200 581 43	200 581 68	200 582 19	45.7	-	50	15
2,100	1,650	200 581 19	200 581 44	200 581 69	200 582 20	46.2	-	50	15
2,150	1,700	200 581 20	200 581 45	200 581 70	200 582 21	46.6	-	50	15
2,200	1,750	200 581 21	200 581 46	200 581 71	200 582 22	47	-	50	15
2,250	1,800	200 581 22	200 581 47	200 581 72	200 582 23	47.4	-	50	15
2,300	1,850	200 581 23	200 581 48	200 581 73	200 582 24	47.9	-	50	15
2,350	1,900	200 581 24	200 581 49	200 581 74	200 582 25	48.3	-	50	15

SCOPE OF DELIVERY

	SA	TA
I Wheel bolts loose	Yes	Yes
I Adapter bracket loose	Yes	Yes
I Axle Bowden cables loose	Yes	Yes
I Compensation profile loose	Yes	No



4

