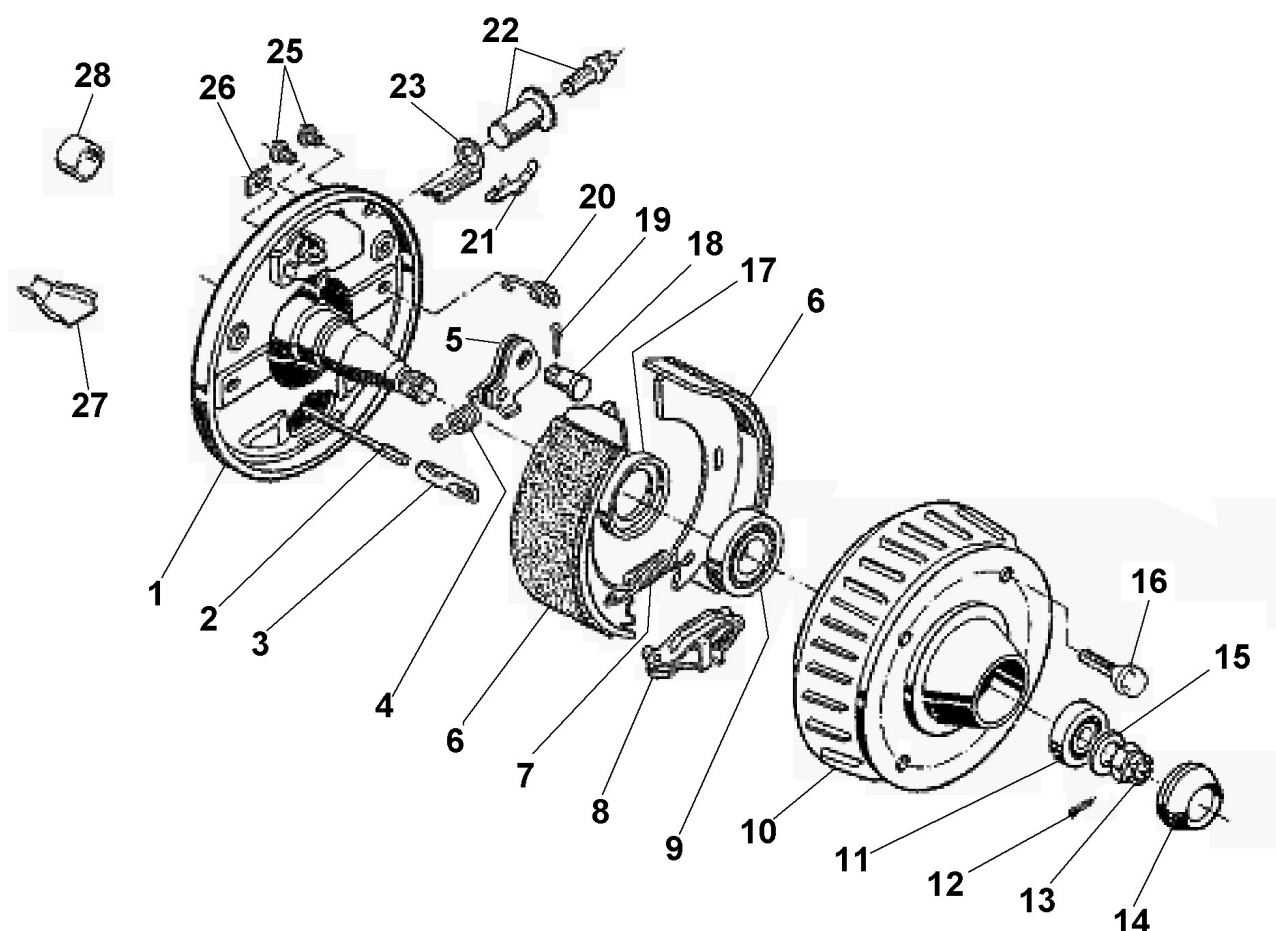


Ersatzteilliste für 812026



Seite 1

POS № Artikelnummer Name

POS №	Artikelnummer	Name
2	299707	MOUNTABLE BOWDEN CABLE 350 / 560 LONG
2	299708	MOUNTABLE BOWDEN CABLE 530 / 740 LONG
2	299709	MOUNTABLE BOWDEN CABLE 770 / 980 LONG
2	299710	MOUNTABLE BOWDEN CABLE 890 / 1100 LONG
2	299711	MOUNTABLE BOWDEN CABLE 1020 / 1230 LONG
2	299712	MOUNTABLE BOWDEN CABLE 1130 / 1340 LONG
2	299713	MOUNTABLE BOWDEN CABLE 1320 / 1530 LONG
2	299714	MOUNTABLE BOWDEN CABLE 1430 / 1640 LONG
2	299715	MOUNTABLE BOWDEN CABLE 1620 / 1830 LONG
2	299716	MOUNTABLE BOWDEN CABLE 1790 / 2000 LONG
3	604262	CONNECTION EYE
4	2188870001	TENSION SPRING LEFT
4	372805	TENSION SPRING RIGHT
5	384308	AUTO-REVERSE LEVER LEFT
5	384309	AUTO-REVERSE LEVER RIGHT
7	2182150003	TENSION SPRING
8	570666	SPREAD HINGE LOCK
9	701513	ROLLER BEARING LM45449/410
10	362860	362860
10	367096	BRAKE DRUM Ø115X4 COMPLETE

10	369712	BRAKE DRUM COMPLETE
10	369713	BRAKE DRUM COMPLETE
10	374360	374360
10	661267	BRAKE DRUM COMPLETE
11	701512	ROLLER BEARING LM11749/710
12	700194	SPLINT PIN DIN 94 4X32-VZ
13	L2059300	CASTLE NUT DIN937-M16X150
14	2083990002	END CAP Ø48
15	2182150005	WASHER SAFETY
16	2081670002	WHEEL BOLT SPHERIC M14X1.5
16	2081670018	WHEEL BOLT CONUS M12X1.5
16	2081670020	WHEEL BOLT SPHERIC M12x1,5
16	2088920010	WHEEL BOLT SPHERIC M10X1.25
16	2185680006	WHEEL BOLT SPHERIC M18X1.5
16	L14637004	WHEEL BOLT SPHERIC M14X1.5
17	701511	RADIAL SHAFT SEAL DIN3760-AS 40X52X7-NBR
18	368651	BEARING BOLT
19	700192	SPLINT PIN DIN 94 4X20-VZ
20	2088800003	PRESSURE SPRING
21	581879	COMPOUND SPRING
22	21873708	ADJUSTING SCREW AND THE ADJUSTING NUT
23	581878	BOW PRESSURE
25	373245	STOPPER
27	371387	CUP
28	371389	PROTECTIVE CAP