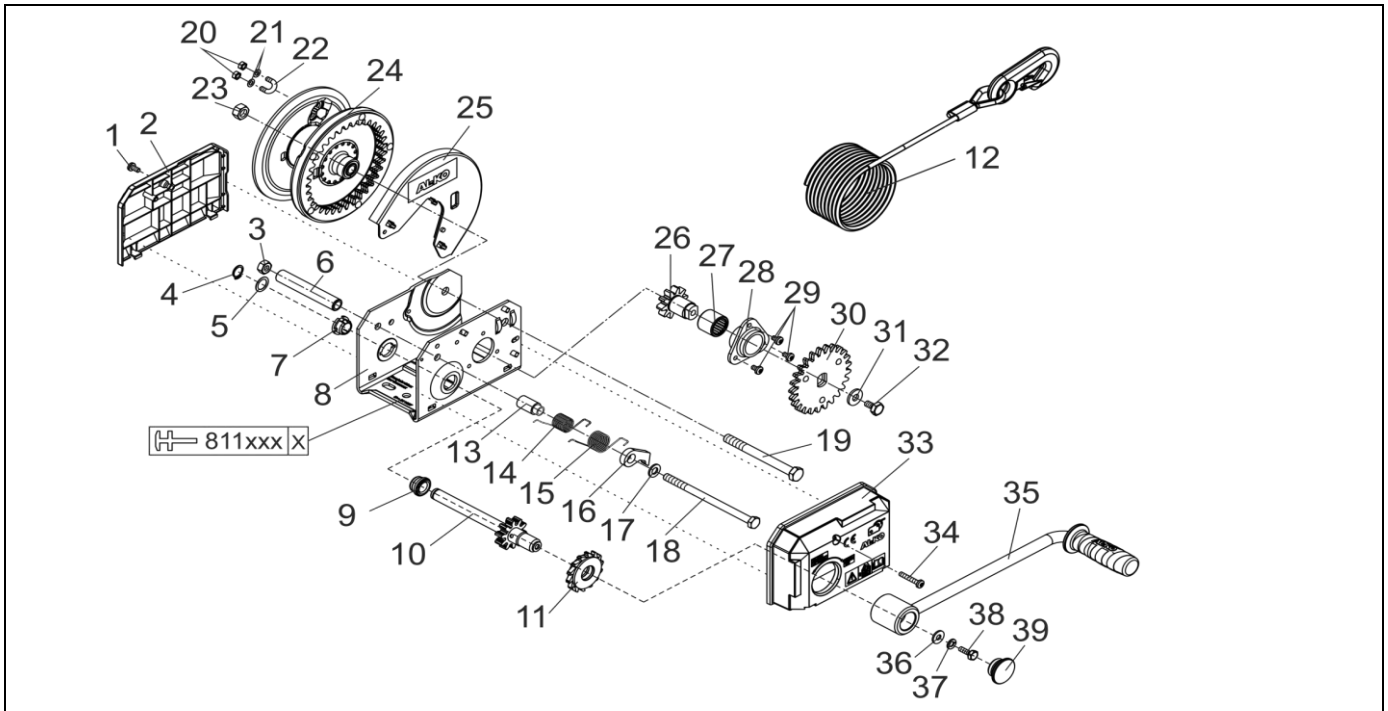


# WINCH OPTIMA TYP 901 PLUS WITH WINCH CABLE

ETI- No. 811696

(Specify the order with the ETI No.)

**AL-KO**  
Spare Parts



Item	Description	Part No.
1	SCREW WITH INSIDE TORX M6X12	694489
2	COVER REAR	352898
3	HEX NUT DIN 985-M10-8	694490
4	LOCKING RING DIN 471-16X1	706122
5	WASHER 16.2X23X0.5	352920
6	AXLE TUBE	352874
7	BEARING BUSH TYPE 901	352909
8	HOUSING TYPE 901	352880
9	BEARING BUSH TYPE 901	352887
10	DRIVE SHAFT	352883
11	RATCHET WHEEL COMPLETE (FAT-FREE ASSEMBLY)	352727
12	WINCH CABLE 900KG (20M)	1730141
	900KG (12.5M)	1730140
13	DISTANCE BUSH	352896
14	TORSION SPRING	352709
15	TORSION SPRING	352710
16	WINCH CATCH	352882
17	WASHER DIN125-ST-A10.5	706127
18	HEX BOLT DIN 931-M10X160-8.8	706126
19	HEX BOLT M12X126	352919

Item	Description	Part No.
20	HEX NUT DIN 934-M6-8	706123
21	WASHER DIN125-ST-A6.4	706130
22	ROPE CLAMP	352891
23	HEX NUT DIN 985-M12-8	694491
24	ROPE CYLINDER TYPE 901	352870
25	COVER ROPE CYLINDER	352922
26	COUNTERSHAFT SPROCKET	352892
27	NEEDLE SLEEVE BEARING DIN 618-25X32X26	700837
28	BEARING HOUSING	352879
29	SCREW WITH INSIDE TORX M6X10	694492
30	GEAR WHEEL	352893
31	WASHER Ø10.5X25	352923
32	HEX BOLT DIN 933-M10X16	706125
33	COVER BLACK	352895
34	SCREW WITH INSIDE TORX M6X35	694488
35	CRANK TYPE 901	352917
36	WASHER DIN7349-A8.4	706135
37	SPRING LOCK WASHER	352924
38	HEX BOLT DIN 933-M8X20	706128
39	COVER	352913

provided	ETI-No.	changed	Change No.	Reason of the change	Revisions-No.
21.07.14	811696_en		FREIGABE		A