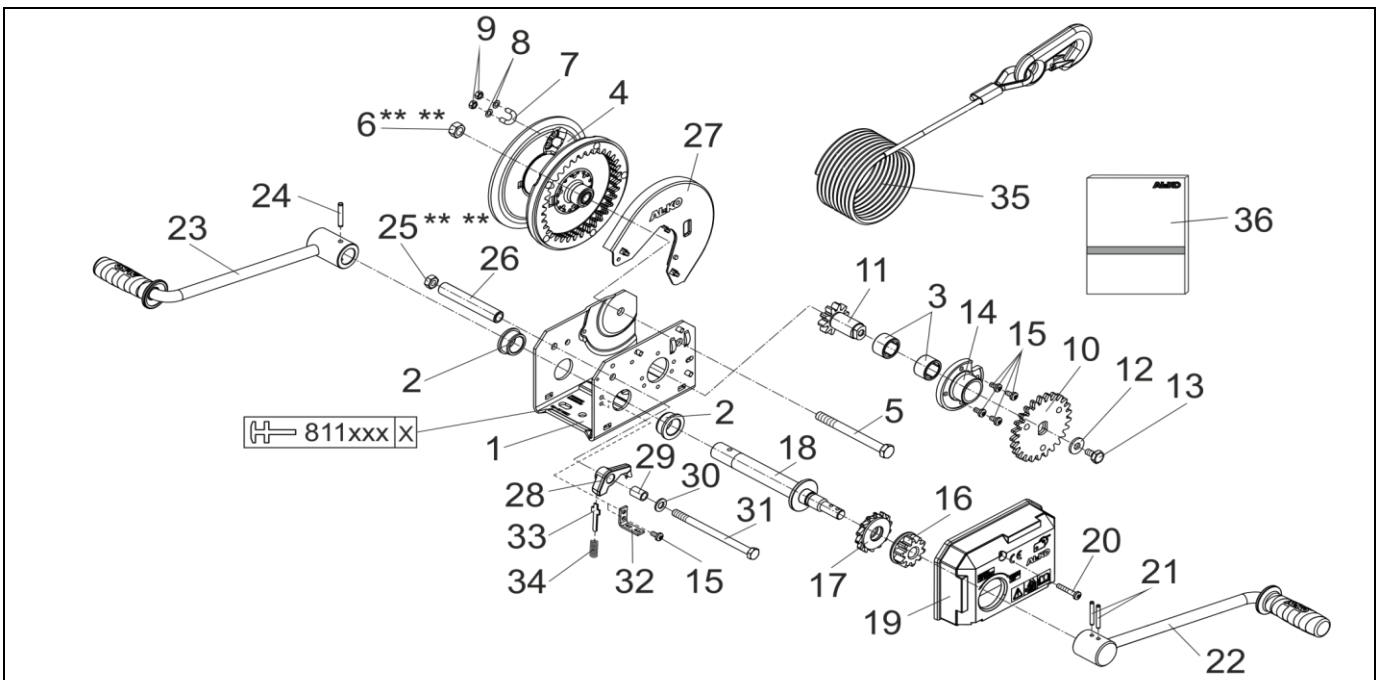


WINCH OPTIMA TYP 901 PLUS DOUBLE CRANK RAL 5010 WITH WINCH CABLE

ETI- No. 811696L

(Specify the order with the ETI No.)

AL-KO
Spare Parts



Item	Description	Part No.
1	HOUSING TYPE 901	NO SPARE PART
2	BEARING BUSH	694865
3	NEEDLE SLEEVE BEARING DIN 618-25X32X20	701674
4	ROPE CYLINDER TYPE 901	352870
5	HEX BOLT M12X125	352919
6	HEX NUT DIN 985-M12-8	** ** 694491
7	ROPE CLAMP	352891
8	WASHER DIN125-ST-A6.4	706130
9	HEX NUT DIN 934-M6-8	706123
10	GEAR WHEEL	352893
11	COUNTERSHAFT SPROCKET	694825
12	WASHER Ø10.5X25	352923
13	HEX BOLT DIN 933-M10X16	706125
14	HOUSING	352564
15	SCREW WITH INSIDE TORX M6X12	580521
16	SPROCKET	352567
17	RATCHET WHEEL COMPLETE (FAT-FREE ASSEMBLY)	352727
18	DRIVE SHAFT	694824
19	COVER RAL 5010	694753
20	SCREW WITH INSIDE TORX M6X35	694488

Item	Description	Part No.
21	CLAMPING PIN ISO 8748-ST-5X40	706277
22	CRANK TYPE 901 DOUBLE CRANK RAL 5010	1653880
23	CRANK TYPE 901 DOUBLE CRANK RAL 5010	1653879
24	CLAMPING PIN ISO 8748-ST-6X40	704053
25	HEX NUT DIN 985-M10-8	** ** 694490
26	AXLE TUBE	352874
27	COVER ROPE CYLINDER RAL 5010	694755
28	WINCH CATCH	694827
29	DISTANCE BUSH	352084
30	WASHER DIN125-ST-A10.5	706127
31	HEX BOLT DIN 931-M10X160-8.8	706126
32	ANGLE	352571
33	SPRING HOLDER PLATE	352232
34	PRESSURE SPRING	352299
35	WINCH CABLE 900KG (12.5M)	1730140
	900KG (20M)	1730141
36	INSTRUCTION MANUAL DE/GB/NL/F/E/P/IDK/S/N/FIN/EST/LV/LT DE/SLO/HR/SRB/PL/CZ/SK/H/BG/RO/GR/TR/RUS/UA	352921 694596

** ** FOR SAFETY REASONS: SELF-LOCKING NUT AND SCREW WITH CHEMICAL SELF-LOCKING MUST BE USED ONCE.
AFTER UNTIGHTEN ALWAYS USE A NEW SPARE.

provided	ETI-No.	changed	Change No.	Reason of the change	Revisions-No.
05.01.15ÖJ	811696L_en		FREIGABE		A