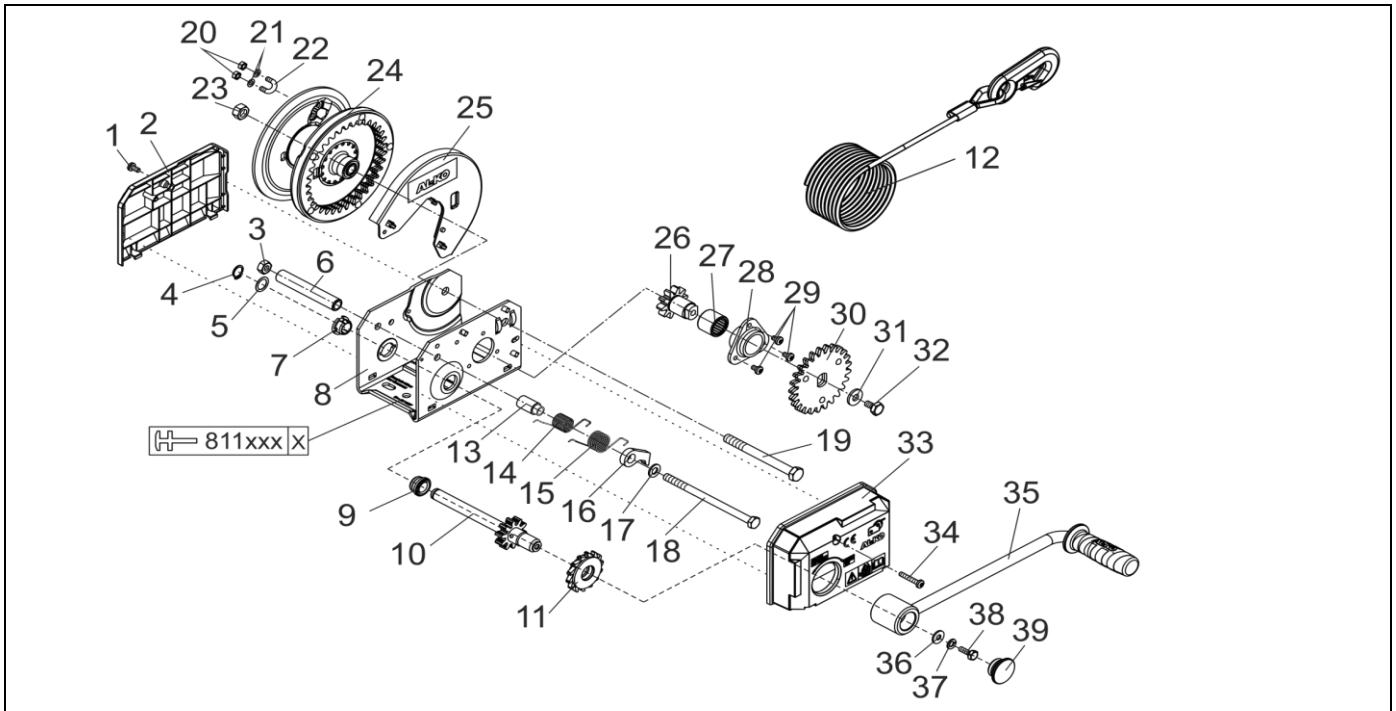


WINCH OPTIMA TYP 901 PLUS WITH WINCH CABLE SPECIAL CRANK

ETI- No. 811696E

(Specify the order with the ETI No.)

AL-KO
Spare Parts



| Item | Description | Part No. |
|------|--|---------------|
| 1 | SCREW WITH INSIDE TORX M6X12 | 694489 |
| 2 | COVER REAR | 352898 |
| 3 | HEX NUT DIN 985-M10-8 | 694490 |
| 4 | LOCKING RING DIN 471-16X1 | 706122 |
| 5 | WASHER 16.2X23X0.5 | 352920 |
| 6 | AXLE TUBE | 352874 |
| 7 | BEARING BUSH TYPE 901 | 352909 |
| 8 | HOUSING TYPE 901 | NO SPARE PART |
| 9 | BEARING BUSH TYPE 901 | 352887 |
| 10 | DRIVE SHAFT | 352883 |
| 11 | RATCHET WHEEL COMPLETE (FAT-FREE ASSEMBLY) | 352727 |
| 12 | WINCH CABLE 650KG (Ø6X8M) | 241753 |
| 13 | DISTANCE BUSH | 352896 |
| 14 | TORSION SPRING | 352709 |
| 15 | TORSION SPRING | 352710 |
| 16 | WINCH CATCH | 352882 |
| 17 | WASHER DIN125-ST-A10.5 | 706127 |
| 18 | HEX BOLT DIN 931-M10X160-8.8 | 706126 |
| 19 | HEX BOLT M12X126 | 352919 |

| Item | Description | Part No. |
|------|--|----------|
| 20 | HEX NUT DIN 934-M6-8 | 706123 |
| 21 | WASHER DIN125-ST-A6.4 | 706130 |
| 22 | ROPE CLAMP | 352891 |
| 23 | HEX NUT DIN 985-M12-8 | 694491 |
| 24 | ROPE CYLINDER TYPE 901 | 694749 |
| 25 | COVER ROPE CYLINDER | 352922 |
| 26 | COUNTERSHAFT SPROCKET | 352892 |
| 27 | NEEDLE SLEEVE BEARING DIN 618-25X32X26 | 700837 |
| 28 | BEARING HOUSING | 352879 |
| 29 | SCREW WITH INSIDE TORX M6X10 | 694492 |
| 30 | GEAR WHEEL | 352893 |
| 31 | WASHER Ø10.5X25 | 352923 |
| 32 | HEX BOLT DIN 933-M10X16 | 706125 |
| 33 | COVER BLACK | 352895 |
| 34 | SCREW WITH INSIDE TORX M6X35 | 694488 |
| 35 | CRANK TYPE 501 BLACK | 694735 |
| 36 | WASHER DIN7349-A8.4 | 706135 |
| 37 | SPRING LOCK WASHER | 352924 |
| 38 | HEX BOLT DIN 933-M8X20 | 706128 |
| 39 | COVER | 352913 |

| provided | ETI-No. | changed | Change No. | Reason of the change | Revisions-No. |
|-----------|------------|---------|------------|----------------------|---------------|
| 21.07.14O | 811696E_en | | FREIGABE | | A |