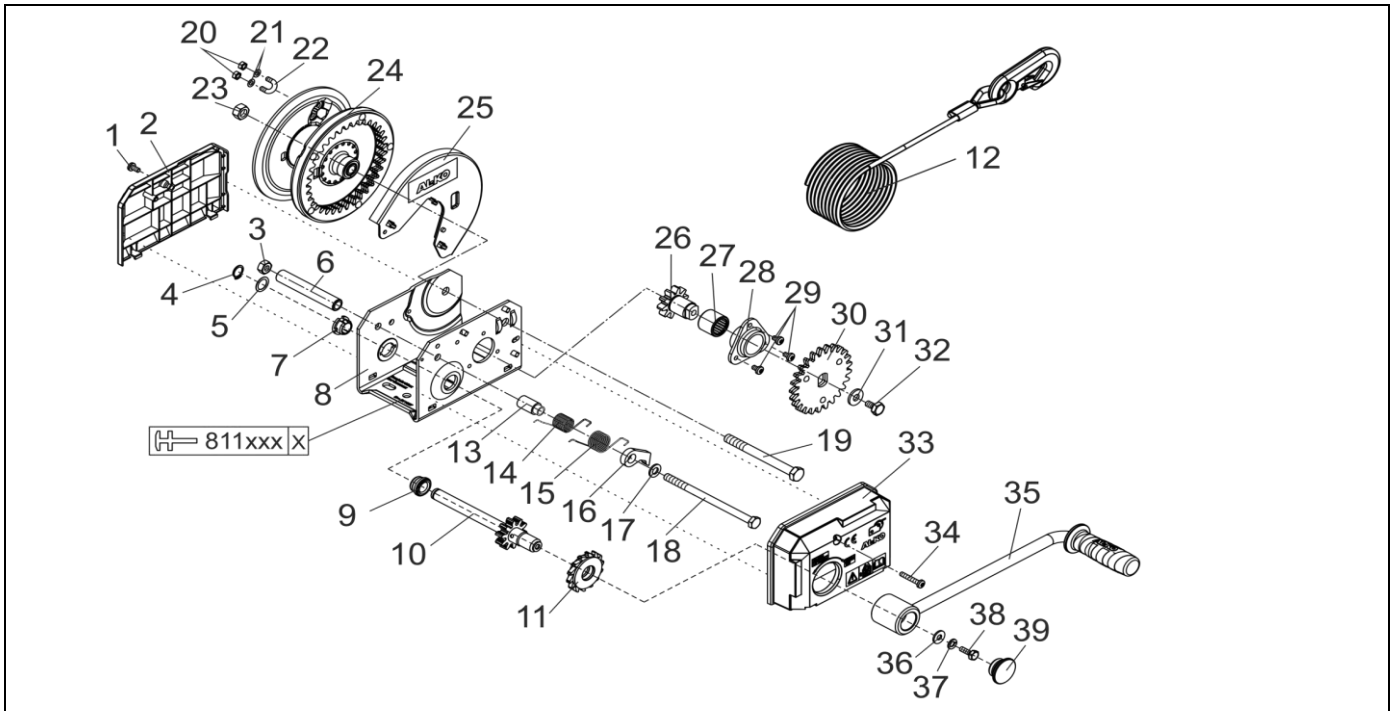


WINCH OPTIMA TYP 901 PLUS WITH WINCH CABLE

ETI- No. 811696B

(Specify the order with the ETI No.)

AL-KO
Spare Parts



Item	Description	Part No.
1	SCREW WITH INSIDE TORX M6X12	694489
2	COVER REAR	352898
3	HEX NUT DIN 985-M10-8	694490
4	LOCKING RING DIN 471-16X1	706122
5	WASHER 16.2X23X0.5	352920
6	AXLE TUBE	352874
7	BEARING BUSH TYPE 901	352909
8	HOUSING TYPE 901	NO SPARE PART
9	BEARING BUSH TYPE 901	352887
10	DRIVE SHAFT	352883
11	RATCHET WHEEL COMPLETE (FAT-FREE ASSEMBLY)	352727
12	WINCH CABLE 900KG (20M)	1730141
	900KG (12.5M)	1730140
	900KG (Ø7X4M) WITHOUT HOOK !	1339982
	650KG (Ø6X8M)	241753
	650KG (Ø6X20M)	209526
13	DISTANCE BUSH	352896
14	TORSION SPRING	352709
15	TORSION SPRING	352710
16	WINCH CATCH	352882
17	WASHER DIN125-ST-A10.5	706127
18	HEX BOLT DIN 931-M10X160-8.8	706126

Item	Description	Part No.
19	HEX BOLT M12X126	352919
20	HEX NUT DIN 934-M6-8	706123
21	WASHER DIN125-ST-A6.4	706130
22	ROPE CLAMP	352891
23	HEX NUT DIN 985-M12-8	694491
24	ROPE CYLINDER TYPE 901	352870
25	COVER ROPE CYLINDER	352922
26	COUNTERSHAFT SPROCKET	352892
27	NEEDLE SLEEVE BEARING DIN 618-25X32X26	700837
28	BEARING HOUSING	352879
29	SCREW WITH INSIDE TORX M6X10	694492
30	GEAR WHEEL	352893
31	WASHER Ø10.5X25	352923
32	HEX BOLT DIN 933-M10X16	706125
33	COVER BLACK	352895
34	SCREW WITH INSIDE TORX M6X35	694488
35	CRANK TYPE 501	352947
36	WASHER DIN7349-A8.4	706135
37	SPRING LOCK WASHER	352924
38	HEX BOLT DIN 933-M8X20	706128
39	COVER	352913

provided	ETI-No.	changed	Change No.	Reason of the change	Revisions-No.
14.07.14O	811696B_en		FREIGABE		A