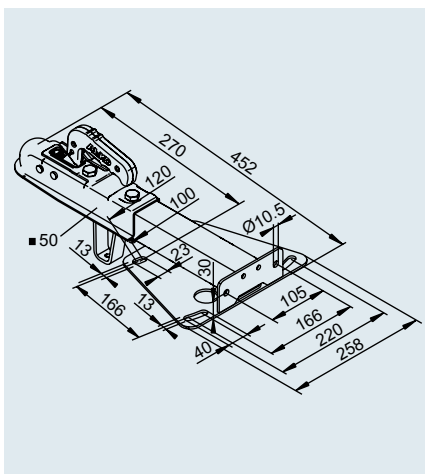
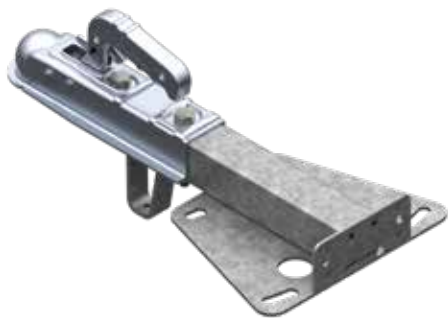


DRAWBAR INSTALLATION 75 VR

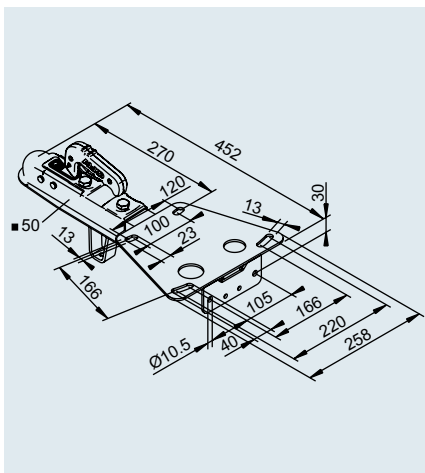
for unbraked trailers up to 750 kg



Drawbar installation 75 VR with coupling head AK 7 PLUS □50 – top installation without safety wire

SAP: ZUGVERBNDG 75 VR OBENEINB M AK7

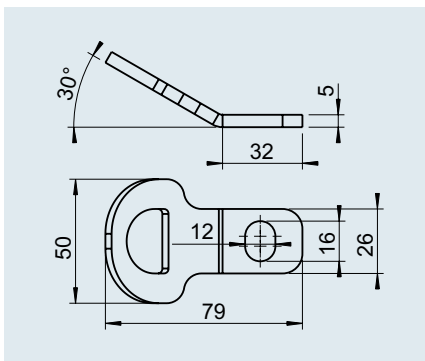
Part No.	1225712
Barcode no.	4003718047752
Perm. gross weight	750 kg
Nose load	75 kg
D/Dc value	7.19 kN
Material	Steel
Tightening torque	M10: 46 Nm; M12: 75 Nm
ECE type approval no.	Drawbar installation: E1 55R-01 2358 Coupling head: E1 55R-01 0232
	5.1 kg
	– 40 units



Drawbar installation 75 VR with coupling head AK 7 PLUS □50 – bottom installation without safety wire

SAP: ZUGVERBNDG 75 VR UNTENEINB M AK7

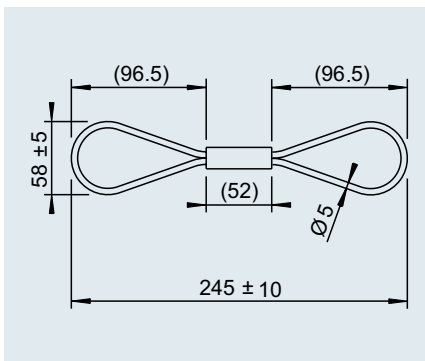
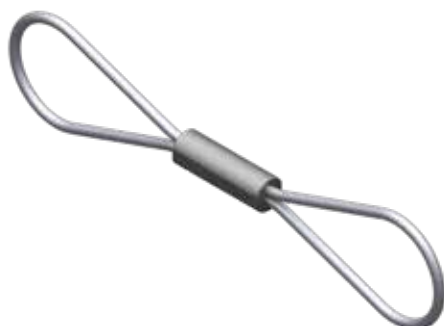
Part No.	1225713
Barcode no.	4003718047769
Perm. gross weight	750 kg
Nose load	75 kg
D/Dc value	7.19 kN
Material	Steel
Tightening torque	M10: 46 Nm; M12: 75 Nm
ECE type approval no.	Drawbar installation: E1 55R-01 2358 Coupling head: E1 55R-01 0232
	5.1 kg
	– 40 units



Strap

SAP: LASCHE ABREISSSEIL FÜHRUNG

Part No.	1651594
Barcode no.	4003718051537
Perm. gross weight	750 kg
Nose load	75 kg
D/Dc value	7.19 kN
Material	Steel
	0.8 kg
	– –



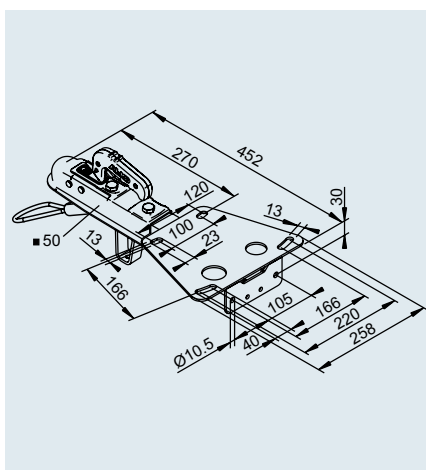
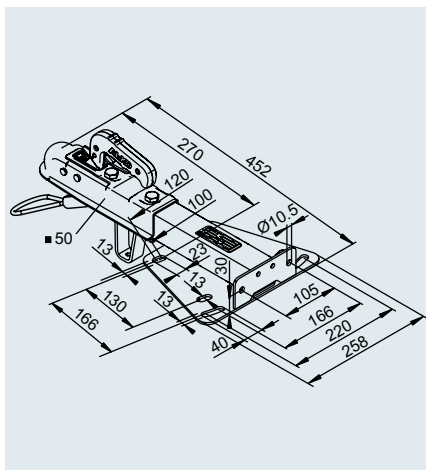
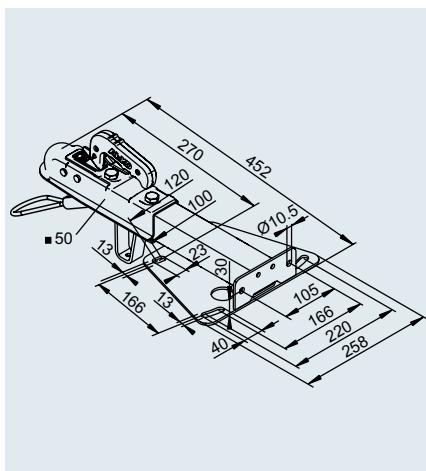
Safety wire

SAP: FANGSEIL FÜR UNGEBREMSTE ANHÄNGER

Part No.	1236099
Barcode no.	4003718047790
Perm. gross weight	750 kg
Nose load	75 kg
D/Dc value	7.19 kN
Material	Steel
	0.3 kg
	– –

DRAWBAR INSTALLATION 75 VR

for unbraked trailers up to 750 kg



Drawbar installation 75 VR with coupling head AK 7 PLUS □50 – top installation with safety wire

SAP: ZUGVERBNDG 75 VR OBENEINB M AK7	
Part No.	1225801
Barcode no.	4003718047776
Perm. gross weight	750 kg
Nose load	75 kg
D/Dc value	7.19 kN
Material	Steel
Tightening torque	M10: 46 Nm; M12: 75 Nm
ECE type approval no.	Drawbar installation: E1 55R-01 2358 Coupling head: E1 55R-01 0232
	5.4 kg
	– 40 units

Drawbar installation 75 VR with coupling head AK 7 PLUS □50 – top installation with safety wire

SAP: ZUGVERBNDG 75 VR OBENEINB M AK7	
Part No.	1730076
Barcode no.	4003718051544
Perm. gross weight	750 kg
Nose load	75 kg
D/Dc value	7.19 kN
Material	Steel
Tightening torque	M10: 46 Nm; M12: 75 Nm
ECE type approval no.	Drawbar installation: E1 55R-01 2358 Coupling head: E1 55R-01 0232
	5.4 kg
	– 40 units

Drawbar installation 75 VR with coupling head AK 7 PLUS □50 – bottom installation with safety wire

SAP: ZUGVERBNDG 75 VR UNTENEINB M AK7	
Part No.	1225723
Barcode no.	4003718047783
Perm. gross weight	750 kg
Nose load	75 kg
D/Dc value	7.19 kN
Material	Steel
Tightening torque	M10: 46 Nm; M12: 75 Nm
ECE type approval no.	Drawbar installation: E1 55R-01 2358 Coupling head: E1 55R-01 0232
	5.4 kg
	– 40 units