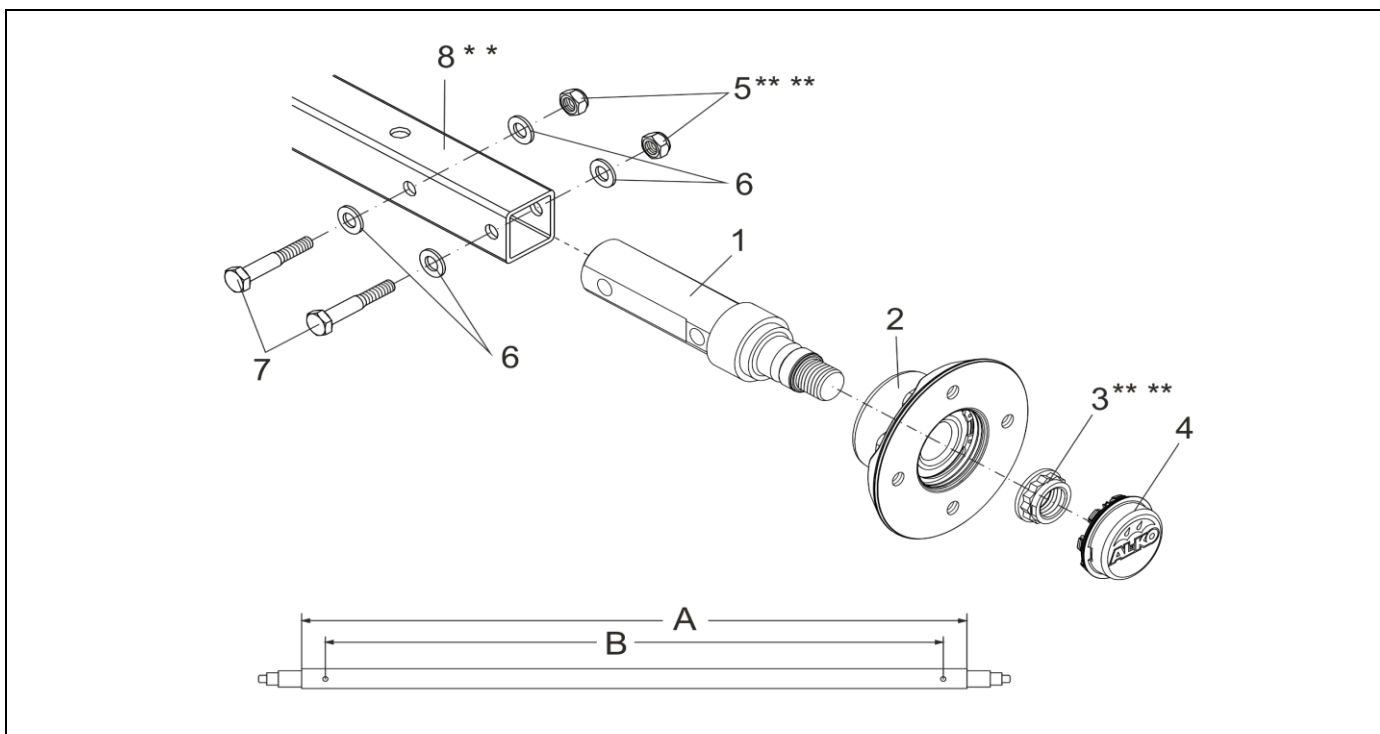


HUB UNIT WHEEL LOAD 375KG RIGID AXLE/WATER PROOF

ETI- No. 811845

(Specify the order with the ETI No.)

Spare Parts



Item	Description	Part No.
1	STUB AXLE UP TO 500 KG	1656070
2	HUB COMPLETE WITH BEARINGS	
	Ø98X4 M12X1.5	1730791
	Ø100X4 M12X1.5	1730790
	Ø112X5 M12X1.5	1730778
	SPARE PARTS SET: 1X BEARING, 1X CIRCLIP, 1X FLANGE NUT	1730743
3	FLANGE NUT M24X1.5 TWELVE SQUARE ***	1650313
4	END CAP WATER RESISTANT Ø60	1235357
5	HEX NUT DIN 985-M12-10-ZN-8DISP ****	705703
6	WASHER DIN125-A13-ZN-8DISP	705397
7	HEX BOLT DIN 931-M12X70-10.9-ZN-8DISP	705699
8	AXIS PROFILE SQUARE 50X50	**

** WHEN ORDERING PLEASE INDICATE SIZE A AND B!

*** FOR SAFETY REASONS: SELF-LOCKING NUT AND SCREW WITH CHEMICAL SELF-LOCKING MUST BE USED ONCE. AFTER UNTIGHTEN ALWAYS USE A NEW SPARE.

provided	ETI-No.	changed	Change No.	Reason of the change	Revisions-No.
10.01.17ÖJ	811845_en		FREIGABE		A