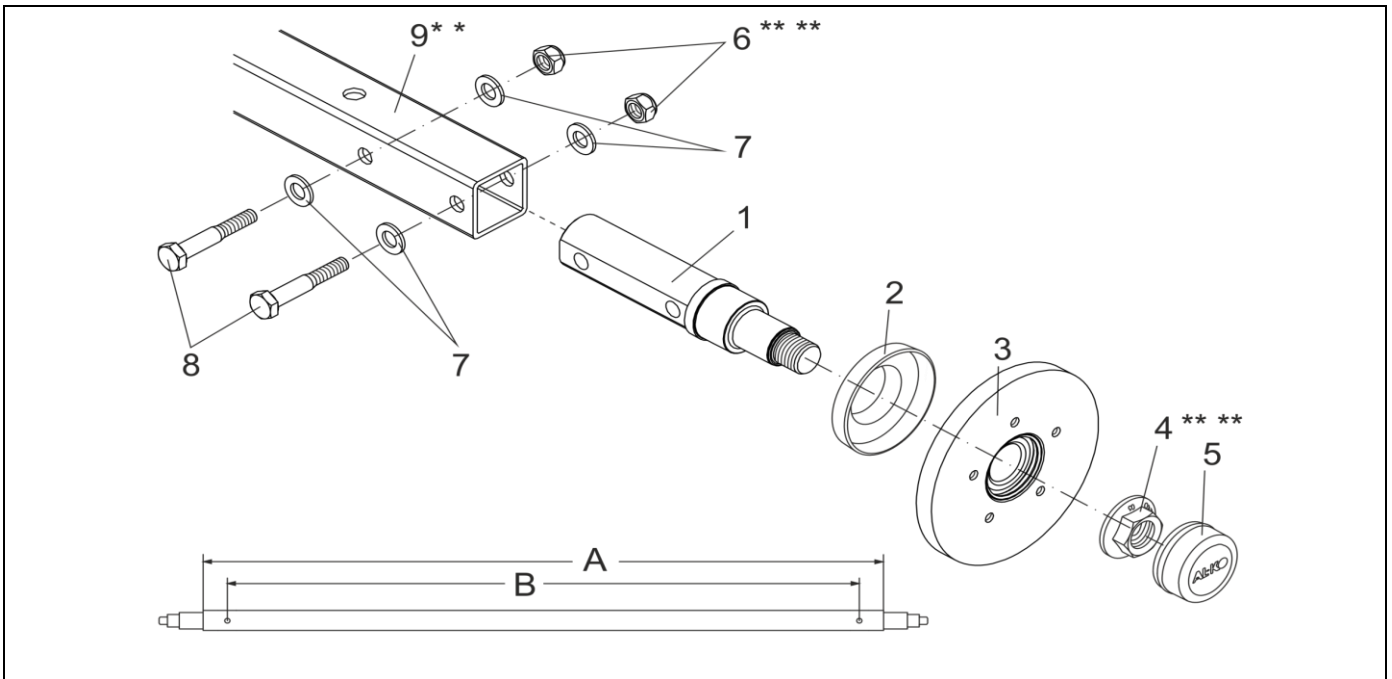


# HUB UNIT WHEEL LOAD 900 KG RIGID AXLE/BOUNCE GUARD

ETI- No. 811659

(Specify the order with the ETI No.)

**AL-KO**  
Spare Parts



Item	Description	Part No.
1	STUB AXLE 900KG	1650196
2	IMPACT PROTECTION Ø56/108	1367161
3	HUB COMPLETE WITH BEARINGS Ø112X5 M12X1.5	1368765
	SPARE PARTS SET: 1X BEARING, 1X CIRCLIP, 1X FLANGE NUT	1224805
4	FLANGE NUT M27X2	*** 582506
5	END CAP Ø65	582505
6	HEX NUT DIN 985-M12-10-A3C	*** 702750
7	WASHER DIN125-A13-A3C	700140
8	HEX BOLT DIN 931-M12X90-10.9-A3C	703341
9	AXIS PROFILE SQUARE 70X70	**

\*\* WHEN ORDERING PLEASE INDICATE SIZE A AND B!

\*\*\* FOR SAFETY REASONS: SELF-LOCKING NUT AND SCREW WITH CHEMICAL SELF-LOCKING MUST BE USED ONCE. AFTER UNTIGHTEN ALWAYS USE A NEW SPARE.

provided	ETI-No.	changed	Change No.	Reason of the change	Revisions-No.
27.08.13/ÖJ	811659_en		FREIGABE		A