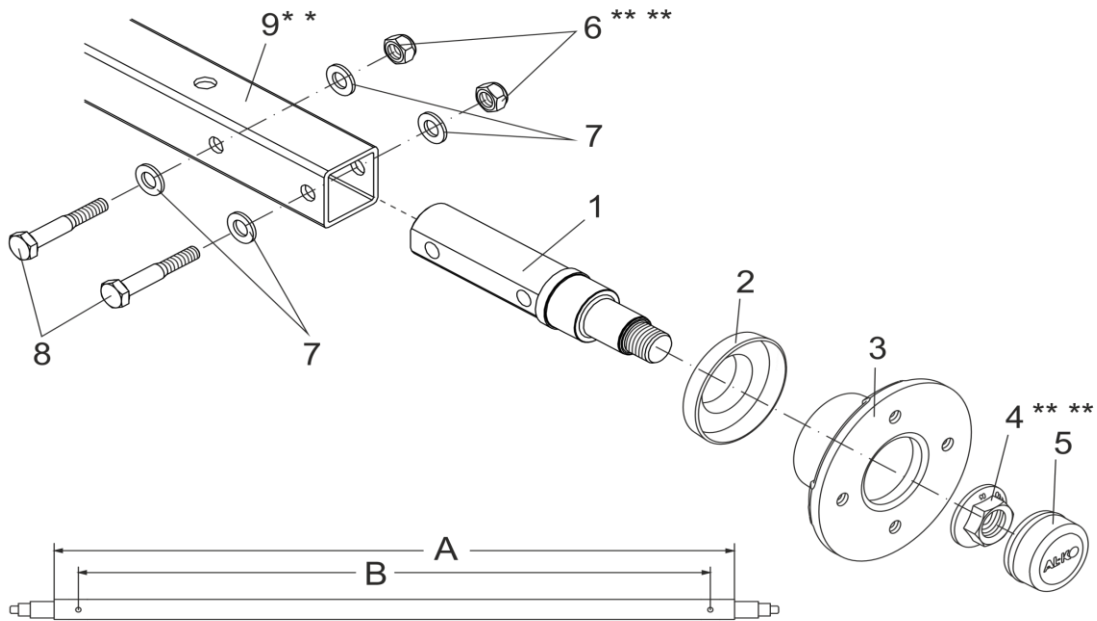


# HUB UNIT WHEEL LOAD 750 KG RIGID AXLE/BOUNCE GUARD

ETI- No. 811660

(Specify the order with the ETI No.)



Item	Description	Part No.
1	STUB AXLE 750 KG	1650197
2	IMPACT PROTECTION Ø50/120	1367102
3	HUB COMPLETE WITH BEARINGS Ø112X5 M12X1.5	1368764
	SPARE PARTS SET: 1X BEARING, 1X CIRCLIP, 1X FLANGE NUT	1224803
4	FLANGE NUT M24X1.5	*** 581200
5	END CAP Ø57	581197
6	HEX NUT DIN 985-M12-10-A3C	*** 702750
7	WASHER DIN125-A13-A3C	700140
8	HEX BOLT DIN 931-M12X70-10.9-A3C	703556
9	AXIS PROFILE SQUARE 50X50	**

\*\* WHEN ORDERING PLEASE INDICATE SIZE A AND B!

\*\*\* FOR SAFETY REASONS: SELF-LOCKING NUT AND SCREW WITH CHEMICAL SELF-LOCKING MUST BE USED ONCE. AFTER UNTIGHTEN ALWAYS USE A NEW SPARE.

provided	ETI-No.	changed	Change No.	Reason of the change	Revisions-No.
27.08.13/ÖJ	811660_en		FREIGABE		A