

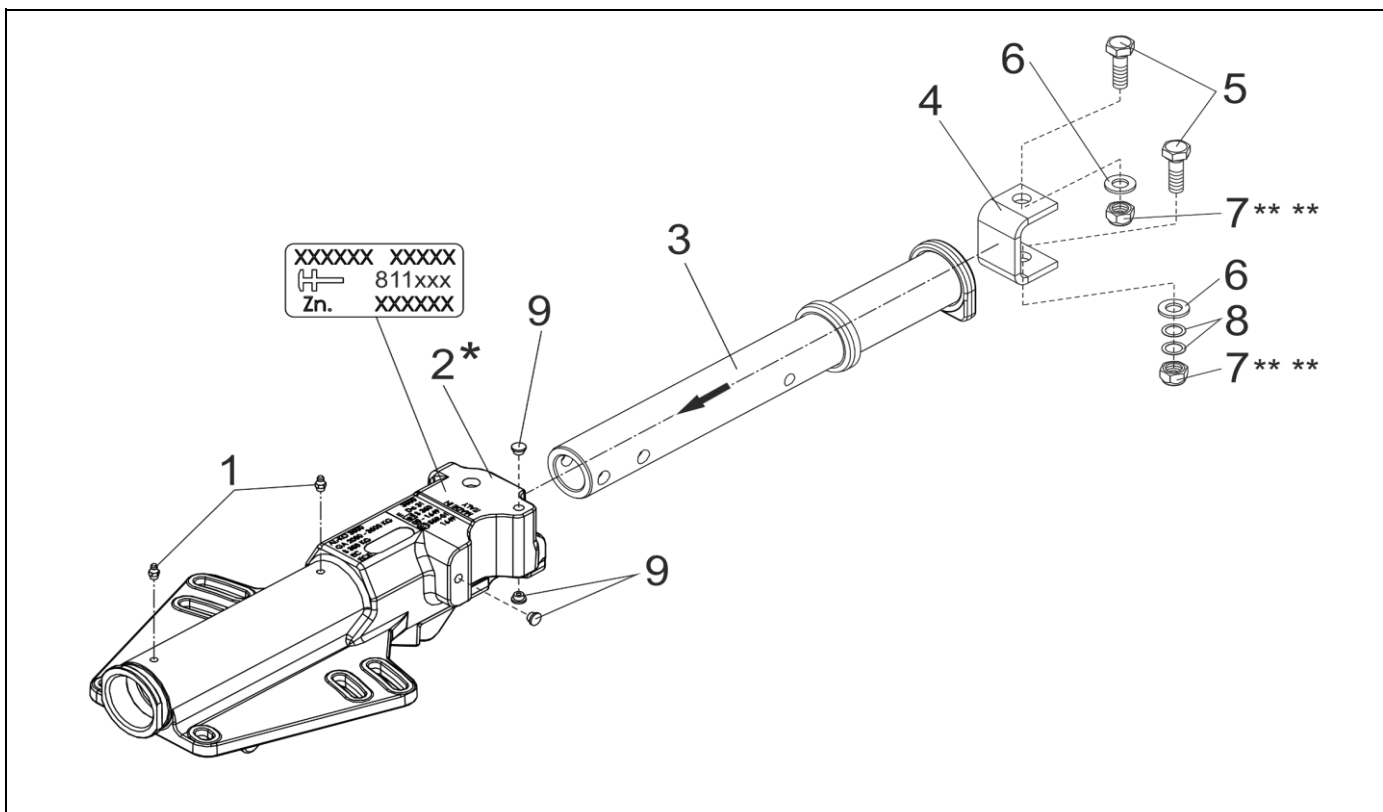
# TRACTION DEVICE V PROFI 3500KG FIXED

ETI- No. 811829

(Specify the order with the ETI No.)

**AL-KO**

Spare Parts



Item	Description	Part No.
1	GREASE NIPPLE CONUS DIN 71412-AS 8X1	700204
2	HOUSINIG	*
3	DRAW TUBE FIXED	1657285
4	U-PROFILE	1652037
5	HEX BOLT DIN 933--M16X45-10.9-ZN8DISP	706372
6	WASHER DIN125-A17-ZN8DISP	706081
7	HEX NUT DIN 985-M16-10-ZN8DISP ** **	706013
8	WASHER DIN 988-16X22X0.5-ZN8DISP	706518
9	STOPPER RED	317460

\* ONLY COMPLETE OVERRUN DEVICE AVAILABLE, SEE IMPRINT ZN.-NR.

\*\* \*\* FOR SAFETY REASONS: SELF-LOCKING NUT AND SCREW WITH CHEMICAL / MECHANICAL SELF-LOCKING MUST BE USED ONCE. AFTER UNTIGHTEN ALWAYS USE A NEW SPARE.

provided	ETI-No.	changed	Change No.	Reason of the change	Revisions-No.
07.09.16ÖJ	811829_en		FREIGABE		A